

➔ Application

- FPAG - flight path alignment guidance lighting
- SMG - aircraft stand manoeuvring guidance light
- TLOF - touchdown and lift-off area light

➔ Classification

- FAA AC 150/5345-46: Class 2, Mode 1, Style 3
- IEC TS 61827: Style 4

➔ Accordance with

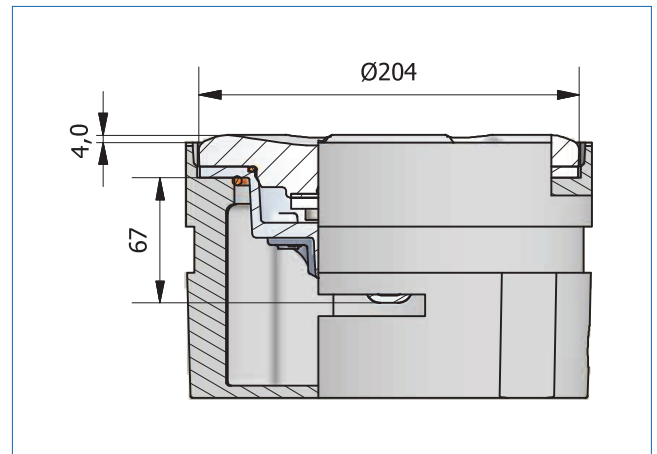
- ICAO Annex 14, Vol. 2
Figure 5-11, Illustration 6
- IEC 61827

➔ Properties

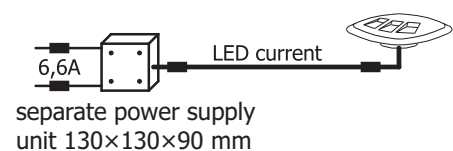
- extremely low protrusion: 4 mm
- raised edges for increased prism protection
- small size: diameter 204 mm (8")
- installation depth in base: 73 mm
- simple and durable aluminum design
- long-term optical stability due to the usage of LED technology
- non-glued easily replaceable prisms
- effective maintenance due to many common parts with TLI42 and TLI43
- easy transport and handling due to small size and weight
- available with two or four fixing holes
- can be manufactured with stainless steel top part if extreme durability is needed
- can be manufactured to mate with shallow bases with axial sealing

➔ Mechanical parameters

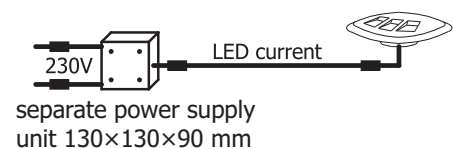
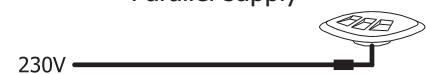
- weight (cardboard box)
 - standard ~3,0 kg
 - stainless steel ~5,7 kg
- dimensions (cardboard box) 220×220×115 mm



Series supply



Parallel supply



chapter:

5.4.2

TLI43



→ Resistance to

- temperature $-55 \div +55$ °C and thermal shock
- humidity, snow, ice and water, watertight IP68
- salt fog, solar and UV radiation
- static and shear load, recurrent mechanical and hydraulic impact according to the IEC TS 61827
- vibrations $20 \div 2\,000$ Hz with acceleration 10/15 G

→ Power source

- isolating transformer with 6,6 A on secondary output (transformer power according to used lamp)
- suitably designed 230 V AC supply with the type of luminance control
- integrated power supply (optional separate power supply unit)

→ Light source

- LED

Ordering code

TLI430-SMG -Y -XX
TLI430-TLOF -G -XX /P1-AHX

light fixture function

FPAG - flight path alignment guidance lighting
SMG - aircraft stand manoeuvring guidance light
TLOF - touchdown and lift-off area light

color

G - green | Y - yellow

* SMG - color outside ICAO specifications, if requested

light power [VA]

TLOF 14/P1

/ power-ups

* if the power supply system is not used, the light is designed for airfield series power supply system 6,6 A

P1 - parallel 230 V/50–60 Hz, electrical appliance class I, PSK 3-step regulation

other specifications

* code for „other specification“ must be written in alphabetical order

A - shallow bases with axial sealing

H - 4 fixing holes

SPC - on-demand specification

X - stainless steel top part

Note:

- spaces in examples above used for clarity only
- optional parameters used only if necessary

Ordering code examples:

TLI430-SMG-Y

omnidirectional aircraft stand manoeuvring guidance light, yellow, series power supply system 6,6 A

TLI430-TLOF-G-AHX

omnidirectional final approach and take-off light, green, series power supply system 6,6 A, shallow bases with axial sealing, 4 fixing holes, stainless steel top part