

### Application

- RCL - runway centre line light
  - \* usable for LAHSO (Land and Hold Short Operations)
- RETIL - rapid exit taxiway indicator light
- TDZ - touchdown zone lights
  - \* usable for MALS according to the FAA AC (Medium Intensity Approach Lighting System)
- THL - Take-off hold light part of RWSL
  - \* usable as RIL (Runway Intersection Light)
  - \* RWSL (Runway Status Light)

### Classification

- FAA AC 150/5345-46: Class 2, Mode 1, Style 2
- IEC TS 61827: Style 3

### Accordance with

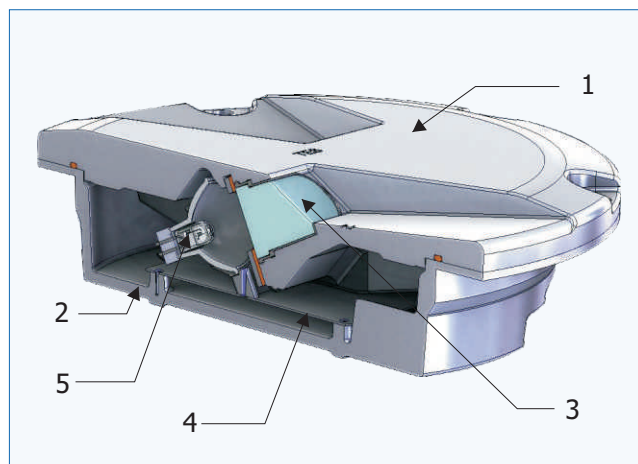
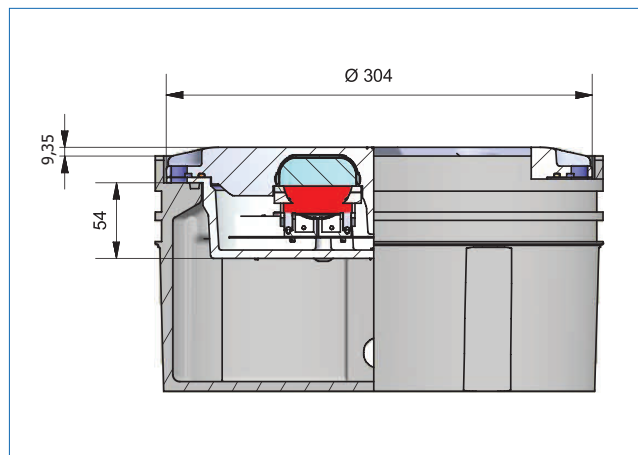
- ICAO Annex 14, Vol. 1
  - Figure: A1-1a, A2-5, A2-6, A2-7 Cat III, A2-26
- IEC TS 61827
- EASA CS-ADR-DSN
  - Figure: U-1, U-10, U-11 Cat III
- TP312
  - Figure: B-5, B-7, B-24(a)
- FAA AC 150/5345-46E\*
  - L-850A, L-850B, L-850F, L-850T
  - \* photometrically compatible
- АП-170, Том II

### Properties

- low protrusion: 9,35 mm
- size: diameter 304 mm (12")
- installation depth in base: 54 mm
- low energy consumption due to the optimized optical parameters
- simple and durable aluminum design
- long-term optical stability due to the usage of cold mirror reflector lamps
- non-glued easily replaceable prisms
- effective maintenance due to many common parts with TI40, TI41, TI70, TI71 and TI72 series
- TDZ lights available with or without toe-in

### Mechanical parameters

- weight (cardboard box) ~7,0 kg
- dimensions (cardboard box) 325×315×115 mm



### Construction

1. aluminium body - top part
2. aluminium body - bottom part
3. prism with gasket (sealing)
4. lamp holder
5. cold mirror reflector lamp

chapter:

# 5.2.9

# TI72



### ➔ Resistance to

- temperature -55 ÷ +55 °C and thermal shock
- humidity, snow, ice and water, watertight IP68
- salt fog, solar and UV radiation
- static and shear load, recurrent mechanical and hydraulic impact according to the IEC TS 61827
- vibrations 20 ÷ 2 000 Hz with acceleration 10/15 G

### ➔ Light source

- standard 50 mm diameter airfield cold mirror reflector halogen 6,6 A lamp

### ➔ Power source

- isolating transformer with 6,6 A on secondary output (transformer power according to used lamp/lamps)

### Ordering code

TI721-TDZ/L-W -48 -SPC  
TI722-RCL -WR-2x48

#### light fixture group

- 1 - unidirectional (RCL, RETIL, TDZ, THL)
- 2 - bidirectional (RCL)
- 3 - bidirectional, separate power leads (RCL)

#### light fixture function

- RCL - runway centre line
- RETIL - rapid exit taxiway indicator light
- TDZ - touchdown zone
- THL - take-off and hold light

#### toe-in (L/R defined for first specified color)

- /L - left toe-in
- /R - right toe-in

#### beam color

- R - red | W - white | Y - yellow

#### lamp power

- 48 - RCL unidirectional, RETIL, TDZ, THL
- 2x48 - RCL bidirectional
- 105 - THL

#### other specifications

- \* code for „other specification“ must be written in alphabetical order
- SPC - on-demand specification

### Note:

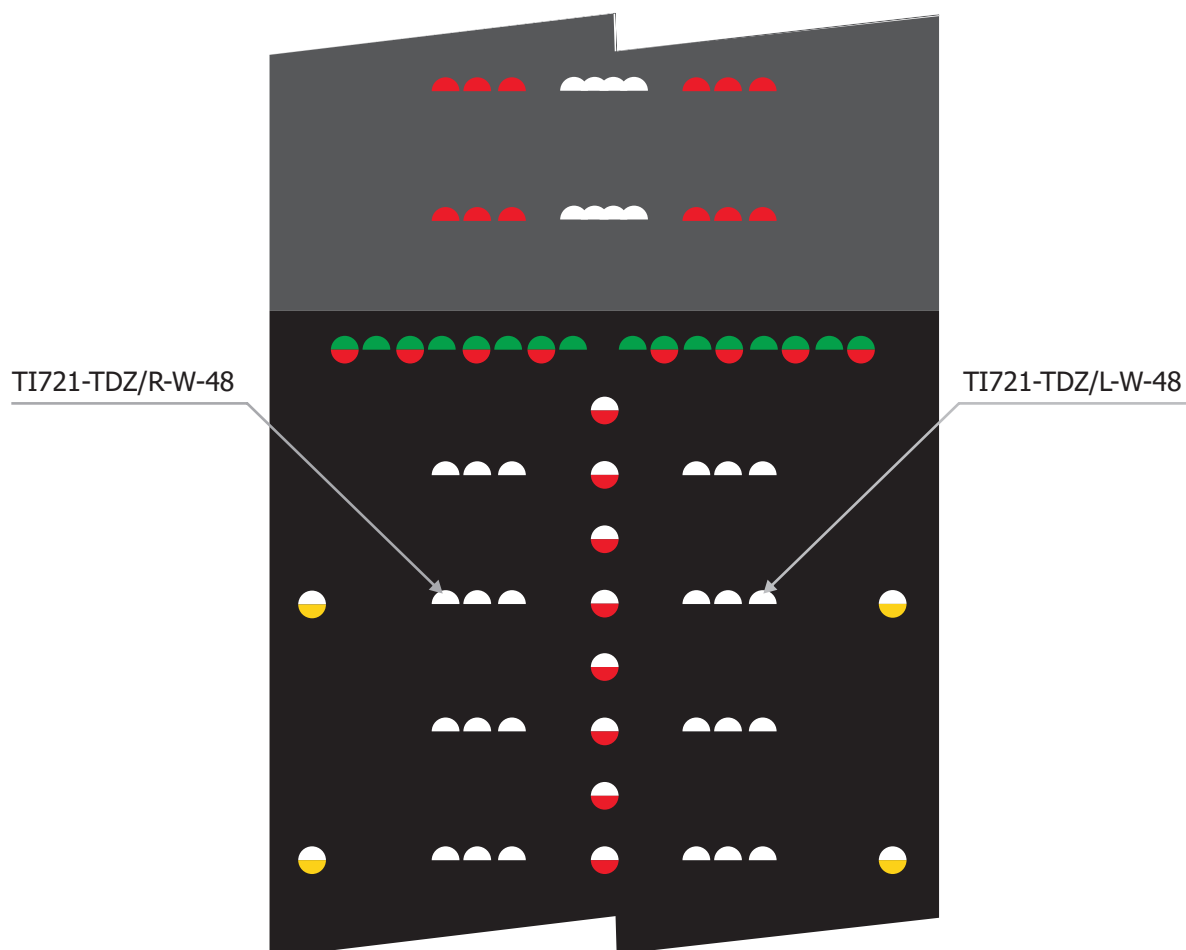
- spaces in examples above used for clarity only
- optional parameters used only if necessary
- lamp power is optional part of ordering code

### Ordering code examples :

- TI722-RCL-WR** bidirectional RWY centre line light, white/red
- TI721-RETIL-Y** unidirectional rapid exit taxiway indicator light, yellow
- TI721-TDZ/R-W** unidirectional touchdown zone light, right toe-in (in the direction of the beam), white

### ➔ Toe-in

- applies when using shallow bases installed parallel to the RWY centerline
- when using shallow bases installed with toe-in to the RWY centerline, lights without toe-in shall be used



### ➔ Certified types according to UCL CR

TI721-RCL-W-48  
 TI722-RCL-WW-2×48  
 TI723-RCL-WW-2×48  
 TI721-RETIL-Y-48  
 TI721-TDZ-W-48

TI721-RCL-R-48  
 TI722-RCL-WR-2×48  
 TI723-RCL-WR-2×48  
 TI721-TDZ/L-W-48

TI721-TDZ/R-W-48

chapter:

**5.2.9****T172**

This page is intentionally left blank.