

➔Application

- APP - approach centre line and crossbars light
- FATO - final approach and take-off light
* usable as aiming point lights
- FPAG - flight path alignment guidance lighting
- RWY - omnidirectional runway edge light, medium/low intensity
- SBL - omnidirectional stop bar and no-entry bar light for RVR ≥ 350 m
- SMG - aircraft stand manoeuvring guidance light
- TCL - omnidirectional taxiway centre line light for RVR ≥ 350 m
- TLOF - touchdown and lift-off area light
- TWY - taxiway edge light

➔Classification

- FAA AC 150/5345-46: Class 2, Mode 1, Style 3
- IEC TS 61827: Style 4

➔Accordance with

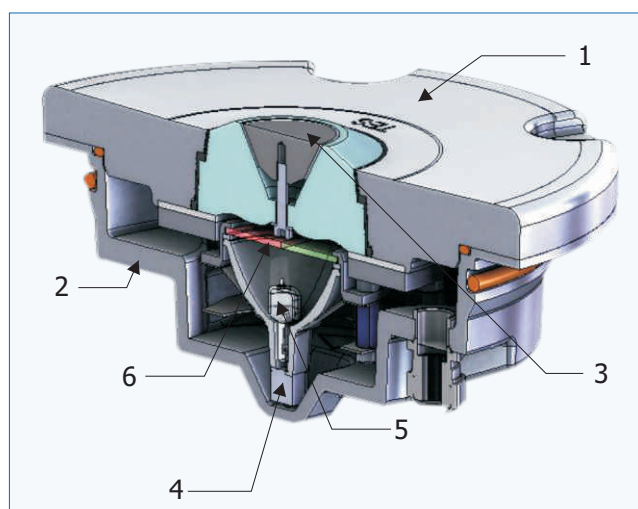
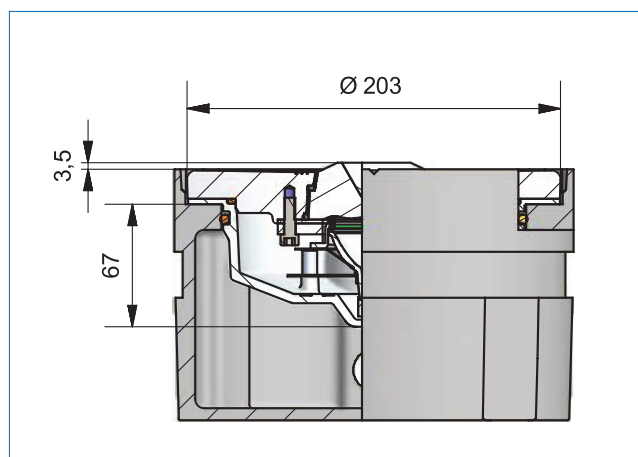
- ICAO Annex 14, Vol. 2
Figure 5-11, Illustration 5/6
- ICAO Annex 14, Vol. 1
Figure A2-15/16
- IEC 61827
- EASA CS-ADR-DSN
Figure U-19/20
- FAA AC 150/5345-46*
L-852T, L-852E, L-861
* photometrically compatible
- АП-170, Tom II

➔Properties

- extremely low protrusion: 3,5 mm
- small size: diameter 203 mm (8")
- installation depth in base: 67 mm
- optimized optical parameters for low energy consumption
- simple and durable aluminum design
- long-term optical stability due to the usage of cold mirror reflector lamps
- non-glued easily replaceable prisms
- effective maintenance due to many common parts with TI42 and TI43
- easy transport and handling due to small size and weight
- available also with 4 fixing holes
- can be manufactured to mate with shallow bases with axial sealing

➔Mechanical parameters

- weight (cardboard box) $\sim 3,0$ kg
- dimensions (cardboard box) 220×220×115 mm



➔Construction

1. aluminium body - top part
2. aluminium body - bottom part
3. prism with gasket (sealing)
4. lamp holder
5. cold mirror reflector lamp
6. dichroic filter

chapter:

5.2.3

TI42



➔ Resistance to

- temperature -55 ÷ +55 °C and thermal shock
- humidity, snow, ice and water, watertight IP68
- salt fog, solar and UV radiation
- static and shear load according to the IEC TS 61827
- vibrations 20 ÷ 2 000 Hz with acceleration 10/15 G

➔ Light source

- standard 50 mm diameter airfield cold mirror reflector halogen 6,6 A lamp

➔ Power source

- isolating transformer with 6,6 A on secondary output (transformer power according to used lamp)

Ordering code

TI420-AGL -Y -48 -AH
 TI420-RWY -WY -62 -H

light fixture function

- APP - approach centre line and crossbars light
- FATO - final approach and take-off light
- FPAG - flight path alignment guidance lighting
- RWY - omnidirectional runway edge light, medium/low intensity
- SBL - omnidirectional stop bar and no-entry bar light for RVR ≥350 m
- SMG - aircraft stand manoeuvring guidance light
- TCL - omnidirectional taxiway centre line light for RVR ≥350 m
- TLOF - touchdown and lift-off area light
- TWY - taxiway edge light

color

- B - blue | G - green | R - red | W - white | Y - yellow | X - none/blinded
- * TCL, RWY, SMG - combination of 2 colors is possible
- * SMG - color outside ICAO specifications, if requested

lamp power

- 30 - FPAG
- 48 - RWY, TCL, TLOF
- 62 - SBL, SMG
- 105 - FATO, APP
- * optional for RWY

other specifications

- * code for „other specification“ must be written in alphabetical order
- A - shallow bases with axial sealing
- H - 4 fixing holes
- SPC - on-demand specification

Note:

- spaces in examples above used for clarity only
- optional parameters used only if necessary
- lamp power is mandatory part of ordering code except TCL, SBL, RWY and SMG lights

Ordering code examples:

- TI420-TLOF-G** omnidirectional final approach and take-off light, green
- TI420-TWY-B** omnidirectional taxiway edge light, blue
- TI420-SMG-Y-48** omnidirectional aircraft stand manoeuvring guidance light, yellow, 48 W
- TI420-RWY-WY-62** omnidirectional RWY edge light, white/yellow, 62 W
- TI420-RWY-WX-48** omnidirectional RWY edge light, white/none (blinded), 48 W

➔ Certified types according to UCL CR (airports)

TI420-APP-W-105
TI420-RWY-W-48
TI420-RWY-YX-48
TI420-SBL-R-62
TI420-SMG-Y-62
TI420-SMG-R-62
TI420-TCL-G-48
TI420-TCL-GX-48
TI420-TWY-B-48

TI420-RWY-WX-48
TI420-RWY-RY-48
TI420-SBL-RX-62
TI420-SMG-YX-62
TI420-SMG-RX-62
TI420-TCL-GY-48
TI420-TCL-YX-48

TI420-RWY-YW-48
TI420-RWY-RX-48

➔ Certified types according to UCL CR (heliports)

TI420-FATO-W-105
TI420-FPAG-W-30
TI420-TLOF-G-48
TI420-TWY-B-48

chapter:

5.2.3**TI42**

This page is intentionally left blank.