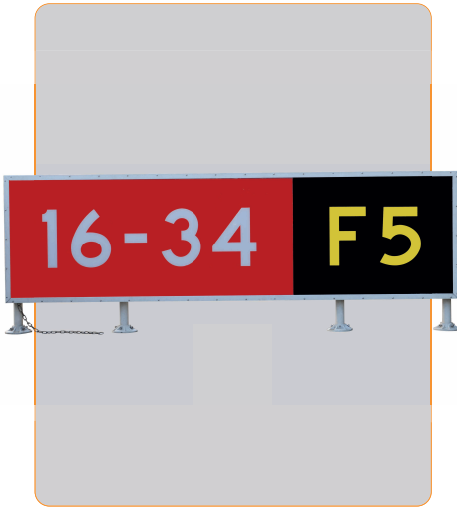


TGSL-H | LED Taxiway Guidance Sign - Airsafe



COMPLIANCE:

- ICAO Annex 14
- FAA AC 150/5345-44
- EB 67D
- UNE IEC-TS 61827
- EASA CS-ADR-DNS
- STANAG 3316
- AENA PPT-022_02-12

GATE CLOSURES 30 MINUTES BEFORE DEPARTURE



BOARDING TIME

BOARDING PASS

NAME OF PASSANGER

FROM:

TO:

DATE FLIGHT
 GAES2020

GATE SEAT
23 21B

GOMINTEC
BOARDING PASS
GOMINTEC

Uses

The TGSL-H Taxiway Guidance Sign has been designed to be used for Mandatory Signs, Information Signs and Location Signs for CAT I, II & III airports according to ICAO.

Features

- Unique patented no hinge design, c/w labyrinth seal aterproof structure and easy access for maintenance service.
- Detachable front panel frame, provide convenient access for inner enclosure cleaning and other service work.
- Aluminum enclosure frame internal mounted with leg support poles, sturdy, durable and meets ICAO wind load requirement.
- Stainless steel requirement.
- 4.5mm thick Polycarbonate front panel, anti-UV, high UV and impact resistance.
- Distinct bright color and clear text provide excellent guidance information to maneuvering airplane.
- Operates under wind velocity up to 480km/h.
- Precision machined frangible pole meets ICAO & FAA requirement, enhances TGS structure stability and reliability.
- Excellent light output with OSRAM high performance LED that extend operational life span.
- LED strips with long MTBF and power efficiency reduce lamp replacement frequency for lower operation cost.
- Modular design creates user friendly and convenience maintenance and operation environment.

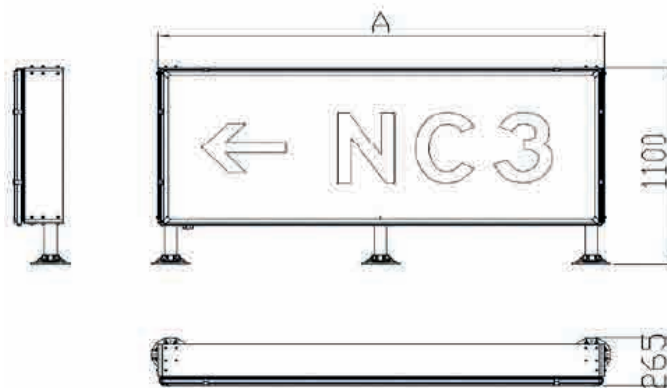


Specifications

- Supply:
 - Type M: powered by 230V / 50Hz AC
 - Type S: powered by 2.8 to 6.6A. series circuit.
- Lamp source: LED strips
- Lamp lifespan: ~60.000 hours
- Temperature: -40°C hasta +55°C
- Wind resistance: 320km/h or 480km/h (to be specified at time of order)el pedido)
- Average brightness on board:
 - Red ≥ 30 cd/m²
 - Yellow ≥ 150 cd/m²
 - White ≥ 300 cd/m²
- Chromacity compliant with ICAO Annex. 14 Vol. 1, Par. 3.4
- Index Protection: IP65

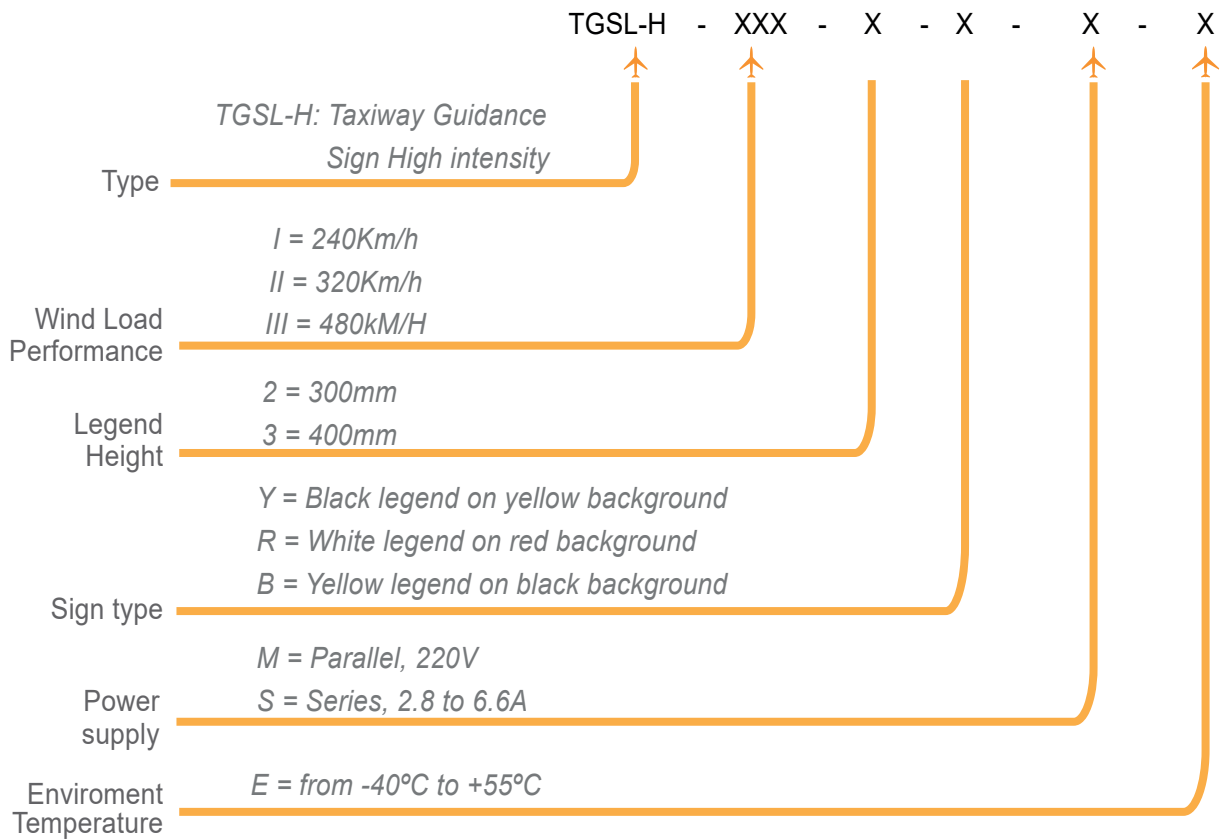
Dimensions

Guidance Sign minimum lenght is 900; customization to required dimension shall be incremented by 200mm (min) per incremental lenght, up to maximum guidance sign lenght of 3000mm. The diagram below shows typical dimension of the guidance sign:



TGSL-H | LED Taxiway Guidance Sign - Airsafe

Order Code



Power Determination

No.	Lamp Quantity	50W	100W	150W	200W	Power factor
		Actual Power (W/VA)	Actual Power (W/VA)	Actual Power (W/VA)	Actual Power (W/VA)	
1	7	45/47	45/47	45/47	45/47	0,95
2	8	49/51	49/51	49/51	49/51	0,95
3	9	53/55	53/55	53/55	53/55	0,95
4	10	57/60	57/60	57/60	57/60	0,95
5	11		61/64	61/64	61/64	0,95
6	12		65/68	65/68	65/68	0,95
7	13		68/71	68/71	68/71	0,95
8	14		72/75	72/75	72/75	0,95
9	15		76/80	76/80	76/80	0,95
10	16		80/84	80/84	80/84	0,95
11	17		83/88	83/88	83/88	0,95
12	18		86/91	86/91	86/91	0,95
13	19		90/95	90/95	90/95	0,94
14	20		94/100	94/100	94/100	0,94

TGSL-H | LED Taxiway Guidance Sign - Airsafe



Installation

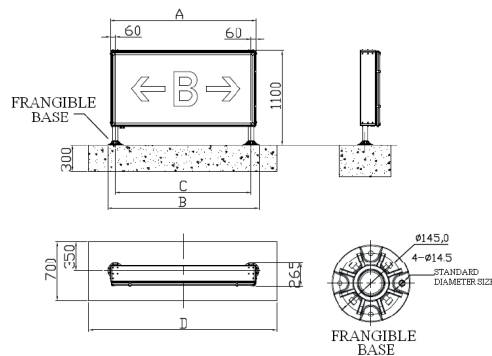


Figure 1

When the length of Guidance Sign (size A) is less than 2000mm, 2 legs are to be installed as support. The distance between the two legs are: $C = A - 120$

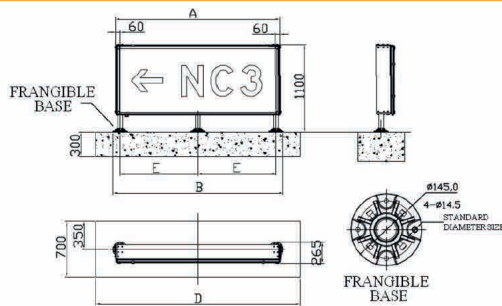
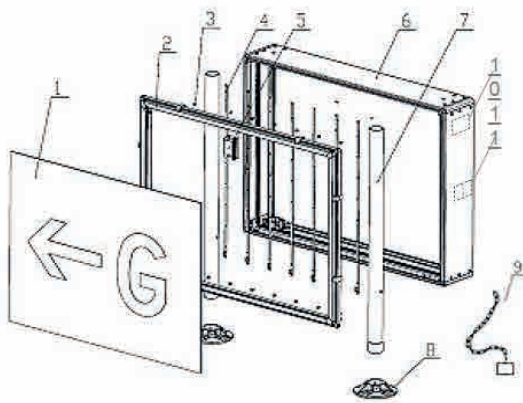


Figure 2

When the length of Guidance Sign (size A) is ranged between 2000mm to 3000mm, 3 legs are to be installed as support. The distance in between the legs are: $E = (A - 120) / 2$



Structure



- 1 Inscription panel
- 2 Front frame
- 3 Retractable screw
- 4 LED strips
- 5 Inverter/Driver
- 6 Enclosure Body frame
- 7 Frangible pole
- 8 Base plate
- 9 Tether
- 10 TGS Configuration
- 11 Reflector

TGSL-H | LED Taxiway Guidance Sign - Airsafe

Accessories

No.	Order No.	Description
1_A	066981	Polycarbonate front panel (H300m)
1_B	085623	Polycarbonate front panel (H400m)
2	074818	Frame
4_A	960A04-01	LED strip (panel with H300mm)
4_B	960A02-01	LED strip (panel with H400mm)
5_A	079622	LED Driver 36 vdc for 6,6A
5_B	060644	LED Driver 36 vdc for 230 VAC
7	60845	Frangible pole
8	60105	Flange
	089522	External switch
	kp14-6p	Terminal block