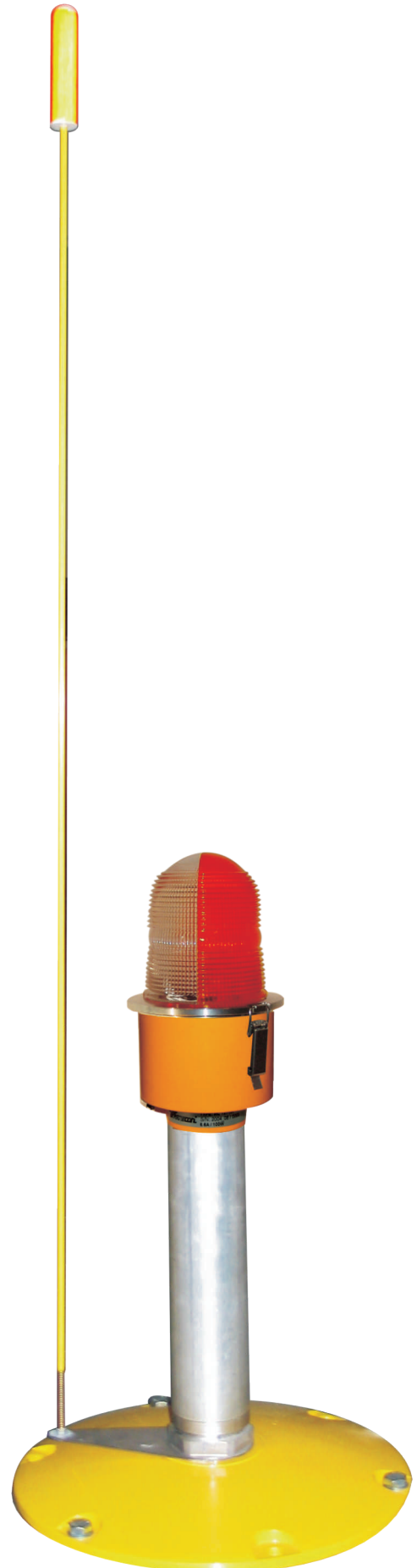
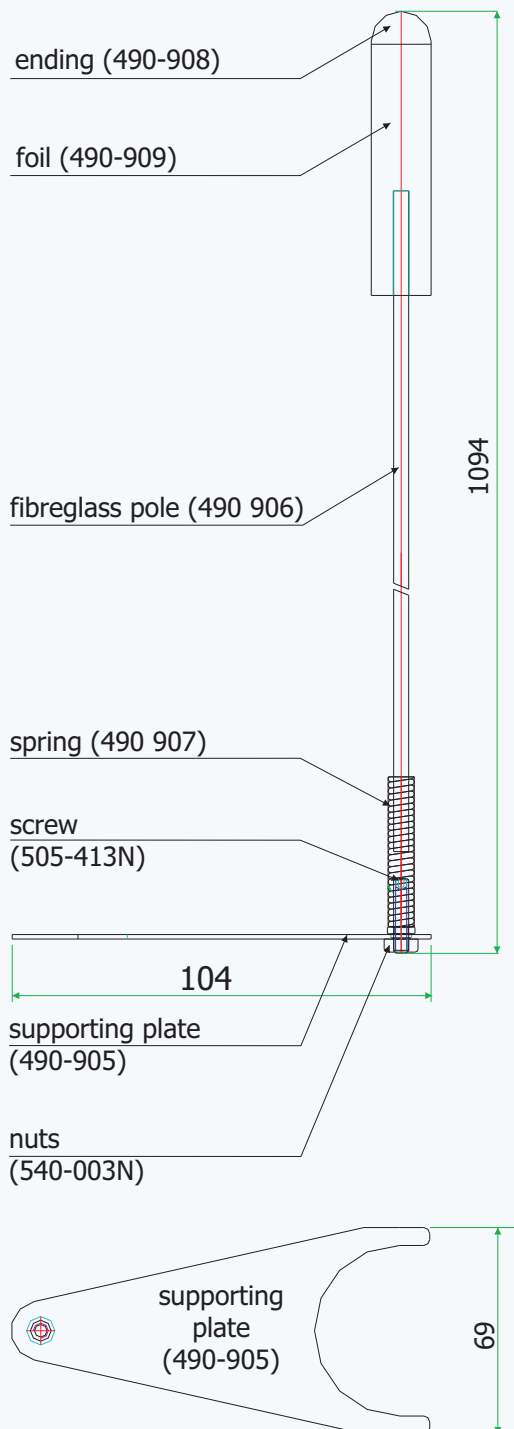


SM-01 winter signs provides for the determination of position lights in the winter the period for maintenance of runways in case of snow coverage

mounted under the breakable coupling linking to all types of elevated lights located on a needle or base plate

ordering code 911-126



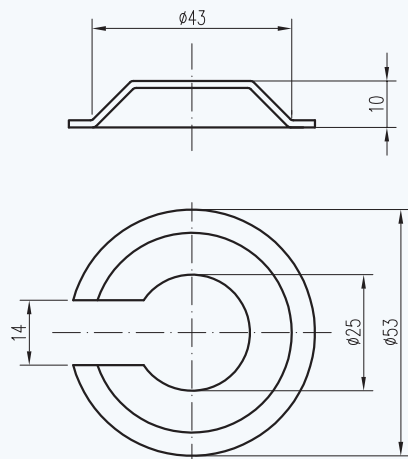
chapter:

5.10.5

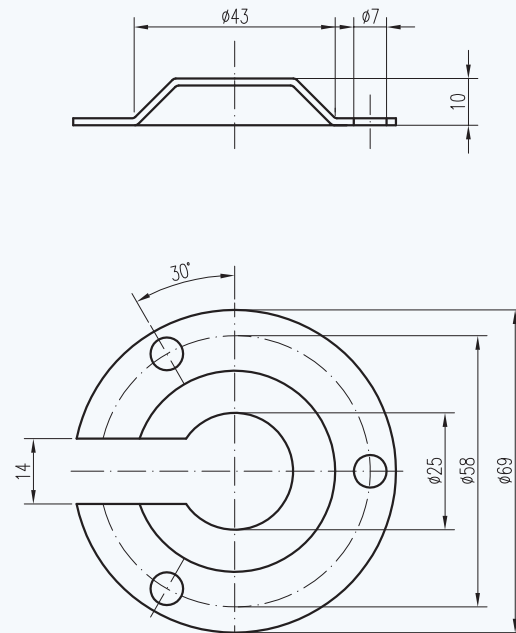
OTHERS



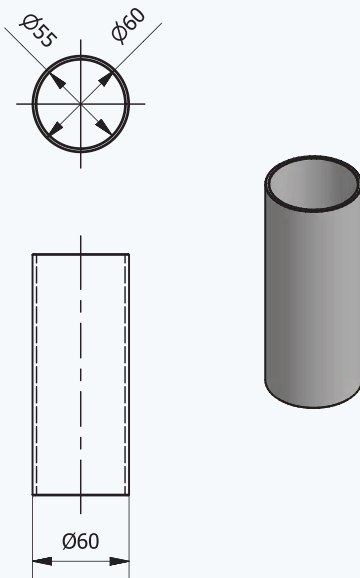
002 004 - fixation dish
clamping of cable into socket 002 013
ordering code 491-013



002 014 - fixation dish - set
clamping of cable into base plate
ordering code 911-118

**001 400**

AL tube for lights
diameter 60 mm
ordering code 545-103

**002 015**

two-way lights holder for set of two lights RGL-02
ordering code 911-125



002 016

two-way lights holder, mount NPSM 2"
ordering code 491-206

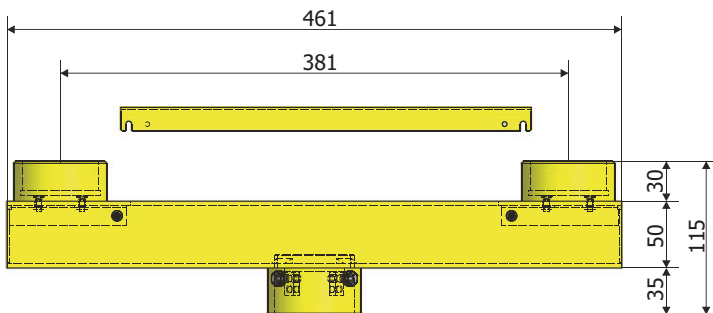


002 017

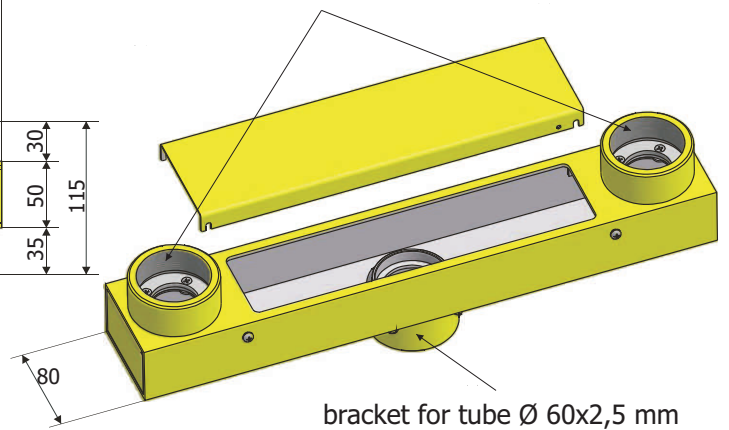
two-way lights holder, mount $\varnothing 60 \times 2,5-50$ mm
ordering code 491-206A



Schema 002 016 / 002 017



bracket for tube $\varnothing 60 \times 2,5$ mm
or handle with thread NPSM 2"



5.10.5

OTHERS



This page is intentionally left blank.