

END-12 | In-pavement runway end light - Airsafe



COMPLIANCE:

- ICAO Annex.14 Vol.1
- FAA AC 150/5345-46
- IEC61827
- EASA: CS-ADR-DSN
- STANAG 3316
- AENA PPT-010_03-12

BOARDING TIME

BOARDING PASS

NAME OF PASSANGER

FROM:

TO:

DATE FLIGHT
 GAES2020

GATE SEAT
23 21B

GATE CLOSSES 30 MINUTES BEFORE DEPARTURE

GOMINTEC
BOARDING PASS
GOMINTEC

Uses

In-pavement runway end light for airports CAT I, II & III, according to ICAO, Figura A2-8.

Features

- 12" external diameter.
- Body casting manufactured on forged aluminum, with high strength and optimum mechanical performance.
- A patented prism design to guarantee an excellent optical performance and ensures high resistance to temperature and pressure changes.
- The upper cover is designed with a flat surface at the light beam exits to prevent the accumulation of water and ensure high luminous efficiency.
- Bulb fixing design based on suspension mounting to effectively extend bulb's lifetime
- Use of standard halogen reflector lamps.
- No adjustments required after lamp or another optical component replacement.
- High precision machining of parts and components to guarantee the quality and dimensions of each piece.
- Stainless steel hardware to grant the waterproof and corrosion resistance.
- Multi-slip waterproof gasket to ensure an appropriate seal with the base.
- Interchangeable components, usable in all lights of the range.

Specifications

- Power: 2.8A ~ 6.6 A.
- Lamp: 1x105W/6.6A halogen lamp with reflector.
- Lamp average life: More than 1.500h at maximum brightness and more than 3.000h in a normal operation conditions.
- Color: Red
- Index Protection: IP68.

END-12 | In-pavement runway end light - Airsafe

Order Code

END-12 - 105 - R

Type *END-12 = 12" in-pavement runway end light*

Power *105 = 1x105W*

Beam color *R = Red*

Installation

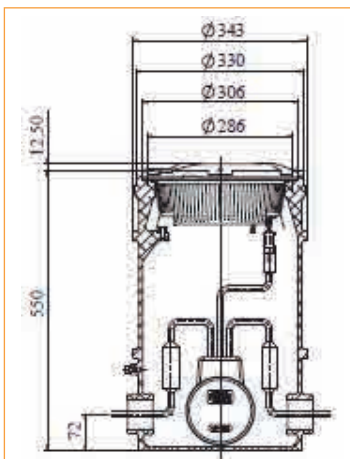


Figure 1
 On 12" deep base

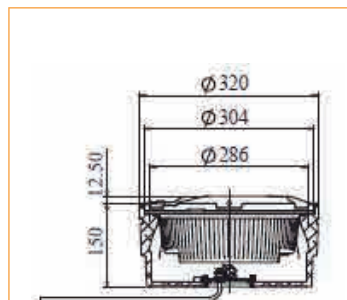
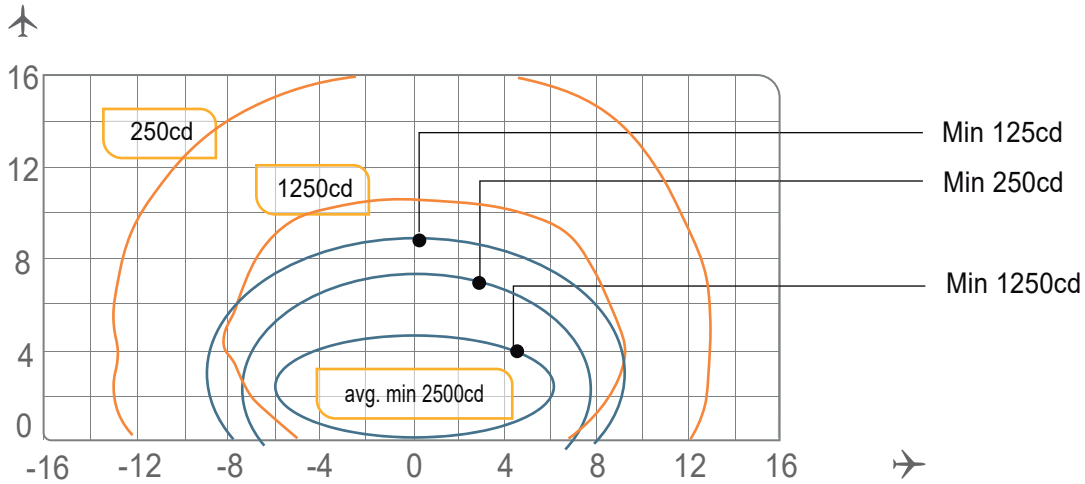


Figure 2
 On 12" shallow base

END-12 | In-pavement runway end light - Airsafe

Photometry

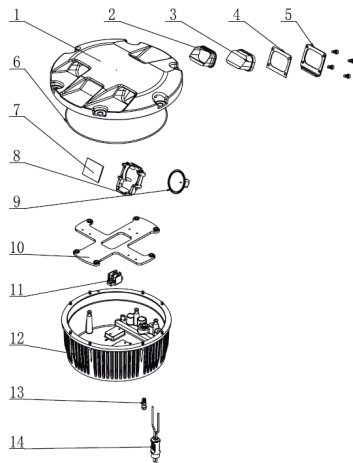


END-12, ICAO Fig. A2-8, Red

Application		Main beam		Color	Required min. avg. cd.	Actual avg. cd.
		H	V			
END-12	ICAO Fig A2-8	±6°	0,25° a 4,75° / 0,2° a 4,7°	Red	2.500	3.128



Structure



- 1 Upper cover
- 2 Prism gasket sleeve
- 3 Prism
- 4 Prism gasket
- 5 Prism pressing bracket
- 6 Light body gasket
- 7 Filter
- 8 Lamp holder
- 9 Lamp
- 10 Mounting plate
- 11 Terminal block
- 12 Inner cover
- 13 Valve
- 14 Plug

END-12 | In-pavement runway end light - Airsafe

Spare Parts

N°	Order No.	Description
2	43107	Prism gasket sleeve
3	31141	Prism
4	43307	Prism gasket
5	43208	Prism pressing bracket
6	41135	Light body gasket
7	31316-R	Filter red
8	942133	Lamp holder
9	L64339	Halogen lamp 105W/6.6A
11	941201	Terminal block
13	941801	Valve
14	HT70603	Secondary cable connector style 6

Accessories

N°	Order No.	Description
1	SB-12	12" shallow base
2	DB-12	12" deep base
3	41115	12" base o-ring
4	51121	12" lamp holder
5	ITF-100-066	100W isolation transformer
6	REC7	Secondary cable receptacle style 7

Weight and Dimensions

	Base	12" shallow base
Packaging size	330x330x150mm ³	340x340x190mm ³
Weight	7,3 kg	11,8 kg