

HSOL

Semi-Flush Heliport Light

Compliances:

- ICAO: Annex 14 - Volume II
- IEC: TS 61827
- NATO: STANAG 3619



Applications:

- The HSOL is a **low intensity, omnidirectional, semi-flush** light used for heliports.
- These fixtures are designed to be powered by **series circuits** or **parallel circuits**.
- The field installation shall be in compliance with the requirements of ICAO - Annex 14 or STANAG Specs.

Performances and benefits:

- **6 mm protrusion above the ground:** (IEC Style 4) to prevent the fixture is damaged by the transit of helicopters/vehicles and to make the snow removal operation easy.
- **Dome temperature widely less than 160° C** when the light is working at the highest performances.
- **1500 hours lamp rated life** at 6.6 A or far over 3000 hours in normal operating conditions.
- Significant **energy savings** and **stable chromaticity** thanks to the use of **dichroic filters**.
- Designed and manufactured with simplicity and **easy to maintain**.

Features:

- Aluminium treated drop-forged dome and cast aluminium lower cover.
- Omnidirectional 8" dia.
- The lens is mechanically clamped to the dome by means of a fastening ring; a customized lens gasket avoids the use of sealing. Replacement is quick and easy.
- No water builds up in front of the lens.
- No optical adjustment is required after the replacement of the lamp, filter or lenses.
- An O-ring placed outside around the dome avoids dirt deposits between light unit and mounting assembly.
- The removal of the fixture is easy thanks to the two seats provided on the dome.

Luminous Source:

- One 45W 6.6A tungsten-halogen lamp; the lamp is of the bi-pin GY6.35 type, mounted on a ceramic lampholder, fitted into a metallic reflector treated by high vacuum aluminizing and quartz depositing.

Power Supply:

- From 30/45W up to 300W series transformer.
- From 50W up to 100W parallel transformer.

How To Order:

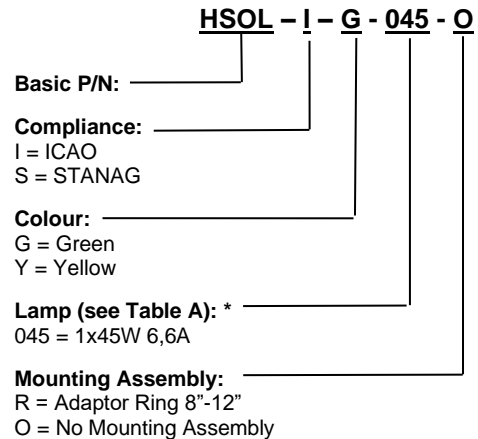
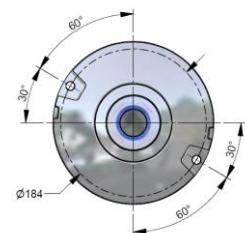
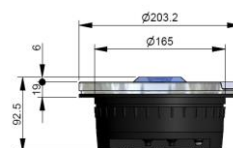


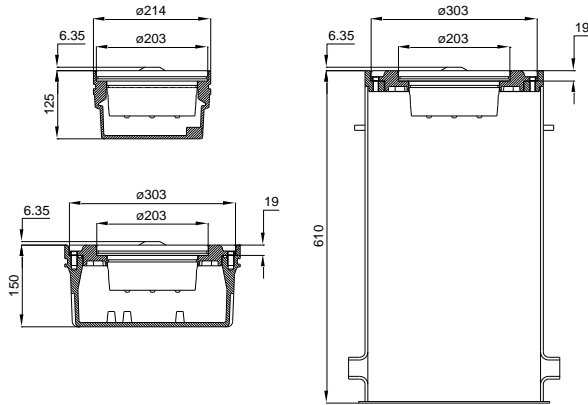
Table A - Lamp Selection

SPECS	USE	COLOUR	
		GREEN	YELLOW
ICAO	Heliport Edge	45W 6,6A	
STANAG	Heliport Edge		45W 6,6A
STANAG	Landing Direction		45W 6,6A



Base:

- Cast aluminium shallow base, 8" dia. (mounting assembly B), with two threaded holes for fastening the light unit. The base is equipped with one cable lead, consisting of two single-pole leads, with FAA L-823 receptacle. Special bases without cable leads can be supplied on request with suitable holes for conduit connections.
- The light unit can be directly mounted on a deep base, L-868 type, size B or a shallow base, 12" dia., when fitted with the adaptor ring.



HSOL - Typical installation

Accessories:

[P/N] Description

011.1509	Transformer for parallel circuits 50W 230/12V
CETRO0002	Transformer for parallel circuits 100W 230/12V
315.1230	Base L-868, Class IA, Size B, 24" Deep*
315.1420	Flange ring with pavement dam for L-868 base, Size B, with O-Ring and bolts
152.5251	Shallow base 8" dia., one cable lead, with hardware
152.8110	Shallow base 12" dia., one cable lead, with gasket and hardware
152.6116	Adaptor Ring 8"-12" complete with hardware
712.1034	Setting material for shallow base, 10 lt
712.1035	Quartz for shallow base, 25 kg
332.4301	Positioning jig for 8"-12" shallow base without optical device
332.4140	Lifting tool (2 pieces to work properly)

* Sectional bases may be required depending upon the paving technique

For any information about series isolating transformers and connectors, please see the specific catalogue pages

Shipping Weights and Volumes

	Light Unit	Base	Light Unit & Base	Light Unit & Adaptor Ring
Weight (Kg)	2.9	3.2	5.75	6.05
Volume (cu.m)	0.007	0.007	0.007	0.013



Renewal Parts for light unit:

[N°]	Description	[P/N]
1	O-Ring for lens holder	758.2041
2	Aluminium lens holder	303.0350
3	Omnidirectional Lens	317.4242
4	Lens gasket	325.0327
5	Green dichroic filter	318.8285
5	Yellow dichroic filter	318.8268
	Filter gasket set	152.1090
6	8" dome with lens and gaskets	152.5445
6	8" dome with lens, green filter and gaskets	152.5446
6	8" dome with lens, yellow filter and gaskets	152.5447
7	O-Ring for dome	758.2014
8	O-Ring for lower cover	758.2120
9	45W 6.6A G 6.35 Lamp	760.2102
10	Reflector	321.6400
11	Lower cover with 1 entry, complete with plug and valve	152.5448
12	O-Ring for base	758.2008
13	FAA L-823 plug with accessories	152.6144
14	Valve for watertightness test	786.7045
15	GY 6.35 lampholder kit	152.5449

Renewal Parts for bases:

[P/N]	Description
325.2000	Silicone O-ring for bases, 12" dia.
011.3020	L-823 two-pole receptacle with leads, 1.0 m long, for shallow bases
152.8065	Hardware kit for adaptor ring fastening to shallow base, 12" dia.
152.6046	Hardware kit for light unit fastening to shallow base, 8" dia., or to the adaptor ring