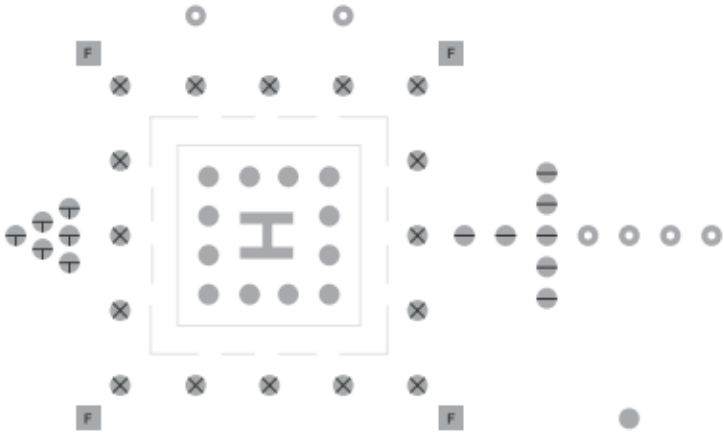





INSET ALIGNMENT



<p>Compliance to standards</p>	<p>ICAO: International Civil Aviation Organization, Aerodromes, Annex 14, Vol. 1</p> <p>ICAO: Annex 14, Volume II - Heliports</p> <p>IEC TS 61827: Electrical installations for lighting and beaconing of aerodromes. Characteristics of inset and elevated luminaires used on aerodromes and heliports</p>
<p>Application</p>	<p>Flight path alignment guidance lights</p>  <p>The diagram illustrates the layout of flight path alignment guidance lights. It features a central rectangular area representing the Taxiway (TLOF) with a grid of lights and a large 'I' symbol. This is surrounded by a larger rectangular area representing the Flight Area (FATO) with a grid of lights. Outside these areas are various other lights: Aiming Point Lights (crosses with a dot), Floodlights (squares with 'F'), Approach Lights (circles with a dot), and a Beacon Light (solid circle). A legend below the diagram identifies the symbols used.</p> <ul style="list-style-type: none"> ⊕ Aiming Point Lights ⊗ FATO Lights Ⓜ Floodlights ⦿ Approach Lights ○ Taxiway Lights ● TLOF Lights ⦿ Approach Lights ● Beacon Light
<p>Features</p>	<p>Designed and built with simplicity and ease of maintenance in mind. High power LED technology in 100000 hours estimated lifetime. Lightweight, low-energy and environment friendly lighting fitting. Extensive use of aluminium alloys reduces fitting weight and eases handling in the field.</p>

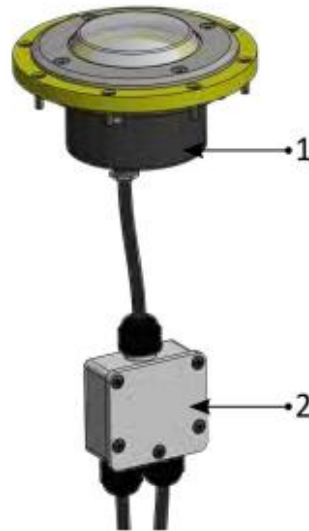
<p>Product Code</p>	<p>AL - 089 - 03 - WH</p> <p>Series Indicator (Airfield Lighting) AL Product Indicator 089 LEDs Number 03 LEDs Light Colour (white) WH</p>
<p>Description</p>	<p>Housing - Powder coated aluminium RAL 1004 (aviation yellow) </p> <p>Dispenser - clear polycarbonate</p> <p>Dispenser flange - nickel plated ring</p> <p>Cable gland - nickel plated brass</p> <p>Fasteners - stainless steel</p>
<p>Environment</p>	<p>Temperature range: - 55° to +55°</p> <p>Degree of protection: IP X8</p> <p>Ka tested: Salt mist</p>
<p>Mounting</p>	<div style="display: flex; justify-content: space-around;"> <div style="text-align: center;"> <p>Φ160mm ElectroMax Shallow Base</p>  </div> <div style="text-align: center;"> <p>Φ8" IEC type Shallow Base with Adapter Ring</p>  </div> <div style="text-align: center;"> <p>Mounted on Φ160mm Base</p>  </div> </div>

Electrical Characteristics

Power consumption: 6W

Power supply: 48V DC from controller - dimmable: 100%, 30%, 10%
0-230V, 50/60HZ - non dimmable
1.4A CC - dimmable: 100%, 30%, 10%(internal bypass + SPD)

Electrical Connections



1.Light Fixture pre cabled with 0,5m cable
Code:AL-089-03-WH

2.IP68 Electrical Junction Box
Code:AL-107-AX

Types of power supply:

-48V DC power supply from controller with 3 core cable
V+ (brown)
V- (blue)
Dimming (green/yellow)

-230V AC directly from mains power supply
Live (brown)
Neutral (blue)
Ground (green/yellow)

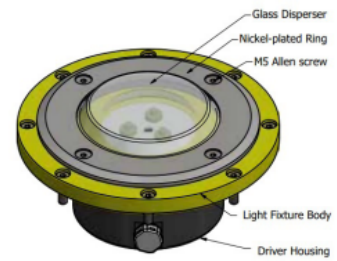
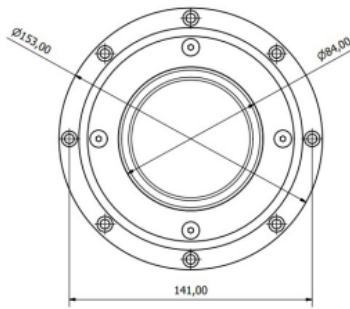
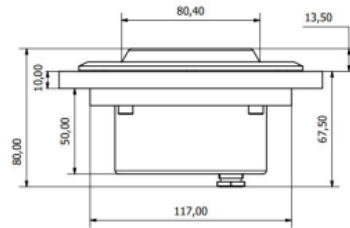
-1.4A CC power supply from controller with 2 core cable
V+ (red mark)
V- (blue mark)

Mechanical Characteristics

Diameter: 153 mm

Total height: 80 mm

Weight: 1.5 kg



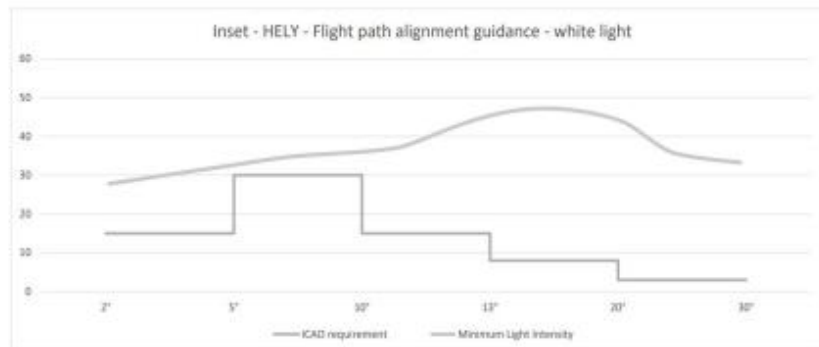
Photometric Characteristics

Intensity level: 100%, 30%, 10% version powered in 48 VDC or 1.4A CC

Horizontal output: 360°

Light colour: White light

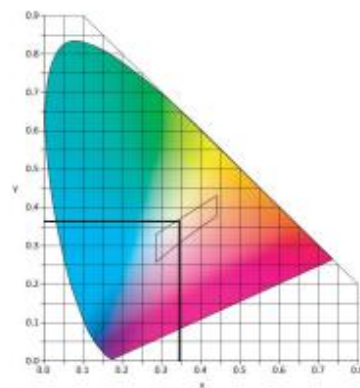
Vertical elevation angle	2°-5°	5°-10°	10°-13°	13°-20°	20°-90°
Required minimum intensity [cd]	15	30	15	8	3
Measured minimum intensity [cd]	28.5	31.5	36.5	47	30.9



The brightness intensity values complies with:

ICAO requirements Annex 14 Vol.2 fig. 5-11/6

The light colour emitted by the light fixture is blue, with the trichromatic coordinates:



x=0,347

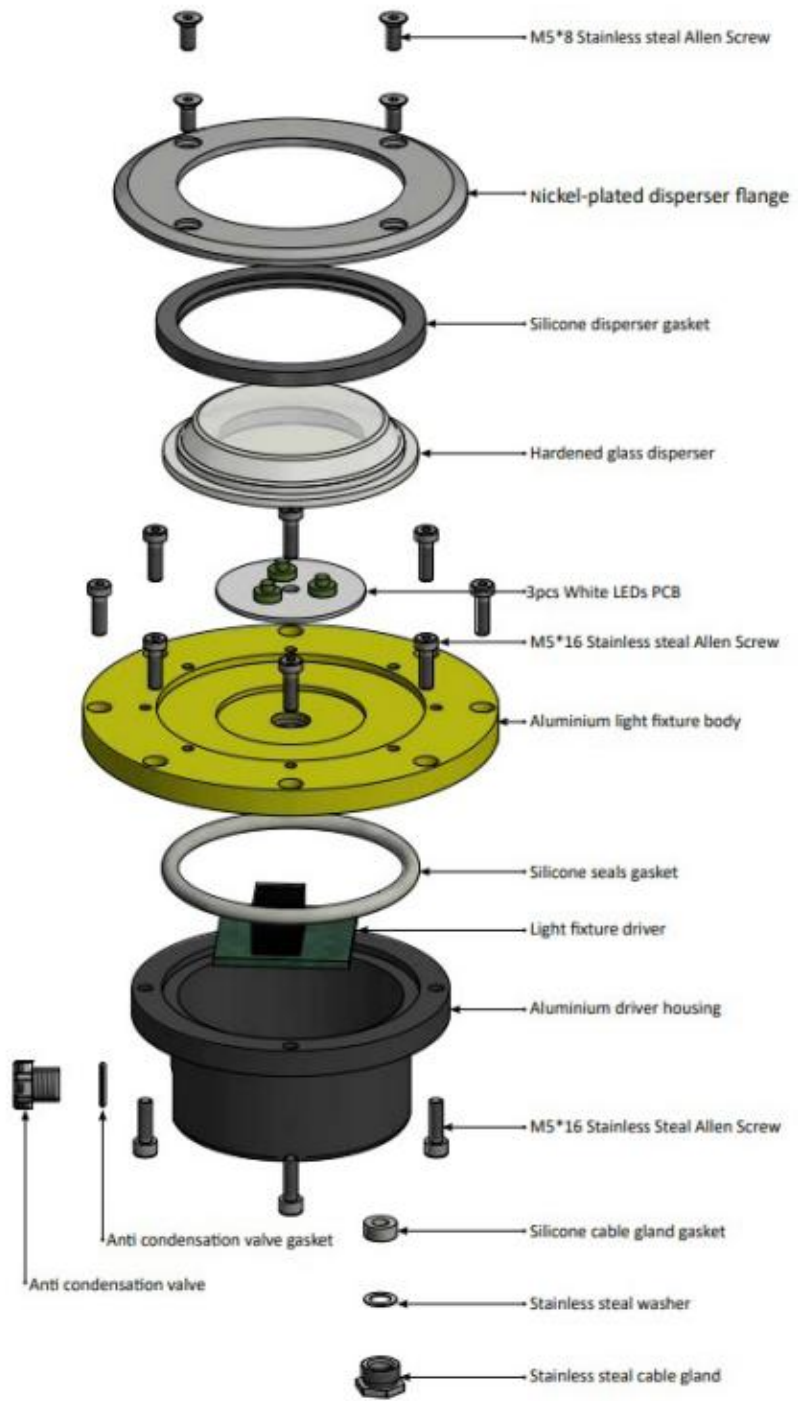
y=0,370

z=0,283





The measured trichromatic coordinates correspond to colour range requirements in:

**ICAO Annex 14 - Aerodromes Vol.1, fig. A1-1-1b.
Colours for aeronautical ground lights (solid state lighting)**

Spare
Parts



Accessory

#	NAME - SERIES	PRODUCT CODE	IMAGE
1	ElectroMax Standard Φ 160mm Shallow Base	AL-104-AX	
2	Adapter Ring for 8" Shallow Base	AL-105-AX	
3	Φ 160mm Surface Mounted Base	AL-106-AX	
4	IP68 Electrical Junction Box	AL-107-AX	
5	Φ 160mm Shallow Base Installation Jig	AL-108-AX	