
Flat ALIGNMENT - FD



Compliance to standards

ICAO:

Annex 14, Volume I - Aerodrome Design and Operations

Annex 14, Volume II - Heliports

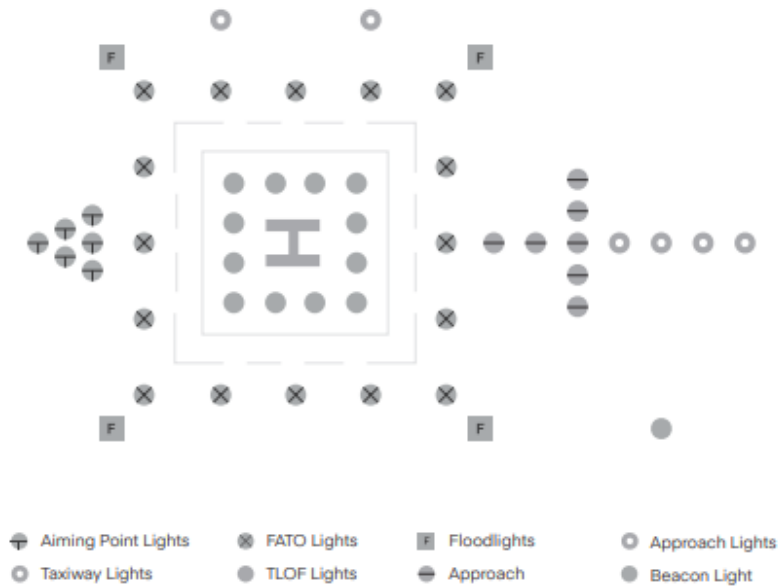
IEC TS 61827:

Electrical installations for lighting and beaconing of aerodromes.

Characteristics of inset and elevated luminaires used on aerodromes and heliports

Application


TLOF lights (Touchdown and Lift Off Area Perimeter) and ALIGNMENT guidance lighting system.



Features

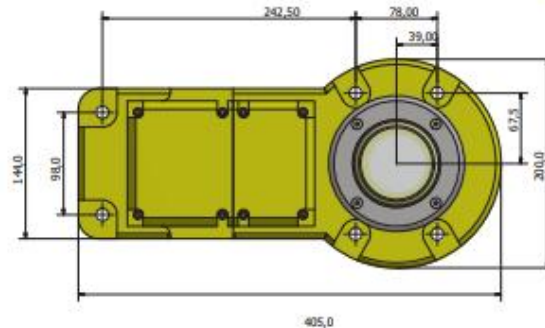
Designed and built with simplicity and ease of maintenance in mind.
High power LED technology.

Lightweight, low-energy and environment friendly lighting fitting.
Extensive use of aluminium alloys reduces fitting weight and eases handling in the field.

<p>Product Code</p>	<p>AL - 075 - 03 - WH - FD</p> <p>Series Indicator (Airfield Lighting) AL</p> <p>Product Indicator 075</p> <p>LEDs Number (3 LEDs) 03</p> <p>LEDs Light Colour (cool white) WH</p> <p>Indicative for surface mounting fixture FD</p>
<p>Description</p>	<p>Housing - Powder coated aluminium RAL 1004 (aviation yellow) </p> <p>Dispenser - hardened glass</p> <p>Dispenser flange - nickel plated ring</p> <p>Cable gland - nickel plated brass</p> <p>Fasteners - stainless steel</p> <p>Light fixtures are provided with anti condensation valve. Light fixtures are UV protected.</p>
<p>Environment</p>	<p>Temperature range: - 55° to +55°</p> <p>Degree of protection: IP X8</p> <p>Ka tested: Salt mist in accordance with IEC 60068-2-11 and IEC 60068-2-25</p>
<p>Mounting</p>	<p>Light fixtures are designed to be mounted on any hard flat surface, such as:</p> <ul style="list-style-type: none"> • concrete • asphalt • metallic structures

Mechanical Characteristics

Length/Width : 200 mm
Height: 23.5 mm
Weight: 2.5 kg



Installation of lighting fixture and cable protection:

- with M10 welded bolts on the metallic platform
- with M10 threaded holes in the metal platform

Electrical Characteristics

Power consumption 6W
Power supply 48V DC from controller - dimmable : 100% ,30%, 10%
90-230V, 50/60Hz - non dimmable

Types of power supply :

- 48V DC power supply from controller with 3 core cable
 - V+** (brown)
 - V-** (blue)
 - Dimming** (green/yellow)
- 230V AC directly from mains power supply
 - Live** (brown)
 - Neutral** (blue)
 - Ground** (green/yellow)

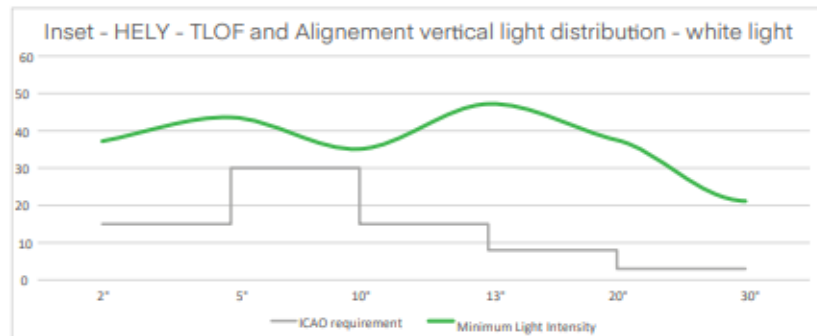
The light fixtures will be provided with sufficient length cable, which will be laid through a channel outside the heliport area, where it will be electrically connected using an IP65-rated junction box.

The power cable will be protected by an aluminium profile with a weight of 2.2kg/m.

Photometric Characteristics

Intensity level: 100%, 30%, 10% with controller in 48VDC
Horizontal output: 360°
Light colour: Green light

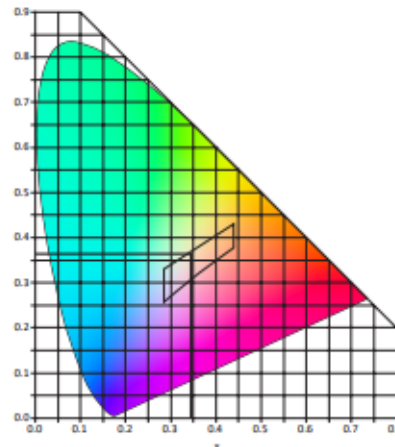
Vertical elevation angle	2°-5°	5°-10°	10°-13°	13°-20°	20°-90°
Required minimum intensity [cd]	15	30	15	8	3
Measured minimum intensity [cd]	37.2	43.6	35	47.2	37.5



The brightness intensity values complies with :

ICAO requirements Annex 14 Vol.2 fig.5-11/6

The light colour emitted by the light fixture is white, with the trichromatic coordinates:



x=0,347

y=0,370

z=0,283

The measured trichromatic coordinates correspond to colour range requirements in:

ICAO Annex 14 - Aerodromes Vol.1, fig. A1-1-1b.

Colours for aeronautical ground lights (solid state lighting)

Spare Parts

