

Flat TLOF

Touchdown and Lift Off Area Perimeter

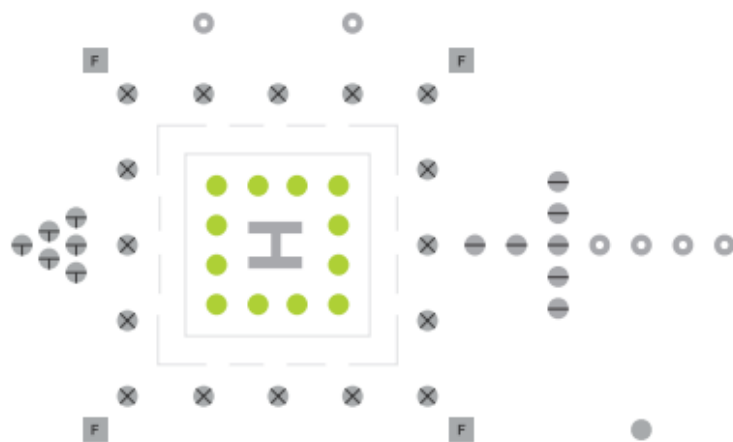


Compliance to standards

ICAO:
Annex 14, Volume I - Aerodrome Design and Operations
Annex 14, Volume II - Heliports
IEC TS 61827:
Electrical installations for lighting and beaconing of aerodromes.
Characteristics of inset and elevated luminaires used on aerodromes and heliports

Application


TLOF lights (Touchdown and Lift Off Area Perimeter)



- ⊕ Aiming Point Lights
- ⊗ FATO Lights
- Ⓛ Floodlights
- Approach Lights
- Taxiway Lights
- TLOF Lights
- ⊖ Approach
- Beacon Light

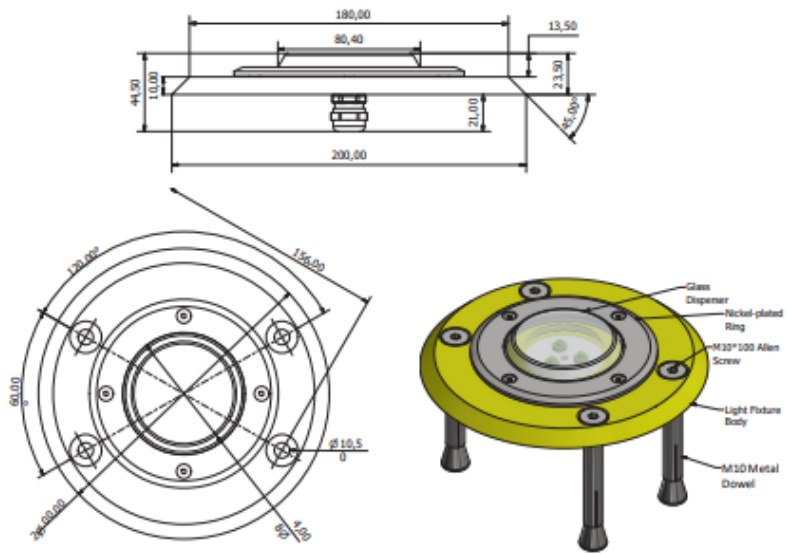
Features

Designed and built with simplicity and ease of maintenance in mind.
High power LED technology.
Lightweight, low-energy and environment friendly lighting fitting.
Extensive use of aluminium alloys reduces fitting weight and eases handling in the field.

Product Code	<p>AL - 073 - 04 - GR - F</p> <p>Series Indicator (Airfield Lighting) AL Product Indicator 073 LEDs Number (3 LEDs) 03 LEDs Light Colour (green) GR Indicative for surface mounting fixture F</p>
Description	<p>Housing - Powder coated aluminium RAL 1004 (aviation yellow)  Dispenser - hardened glass Dispenser flange - nickel plated ring Cable gland - nickel plated brass Fasteners - stainless steel</p> <p>Light fixtures are provided with anti condensation valve. Light fixtures are UV protected.</p>
Environment	<p>Temperature range: - 55° to +55° Degree of protection: IP X8 Ka tested: Salt mist in accordance with IEC 60068-2-11 and IEC 60068-2-25</p>
Mounting	<p>Light fixtures are designed to be mounted on any hard flat surface, such as:</p> <ul style="list-style-type: none"> • concrete • asphalt • metallic structures

Mechanical Characteristics

Diameter: 200 mm
Height: 23.5 mm without cable gland; 44.5 with cable gland
Weight: 1.5 kg



Electrical Characteristics

Power consumption 6W
Power supply 48V DC from controller - dimmable : 100% ,30%, 10%
 90-230V, 50/60Hz - non dimmable

1. Light Fixture pre cabled :
Code : AL-073-03-GR-F
2. IP68 Electrical Junction Box :
Code : AL-107-AX



Types of power supply :

- 48V DC power supply from controller with 3 core cable
 - V+** (brown)
 - V-** (blue)
 - Dimming** (green/yellow)
- 230V AC directly from mains power supply
 - Live** (brown)
 - Neutral** (blue)
 - Ground** (green/yellow)

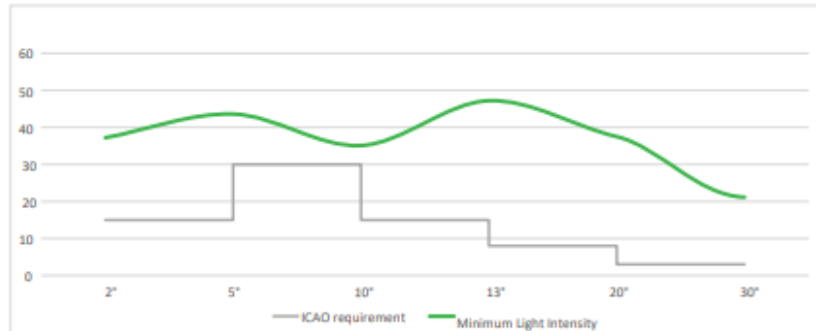
The light fixtures will be provided with sufficient length cable, which will be laid through a channel outside the heliport area, where it will be electrically connected using an IP65-rated junction box.

Photometric Characteristics

Intensity level: 100%, 30%, 10% with controller in 48VDC
Horizontal output: 360°
Light colour: Green light

Vertical elevation angle	2°-5°	5°-10°	10°-13°	13°-20°	20°-90°
Required minimum intensity [cd]	15	30	15	8	3
Measured minimum intensity [cd]	37.2	35	47.2	37.5	

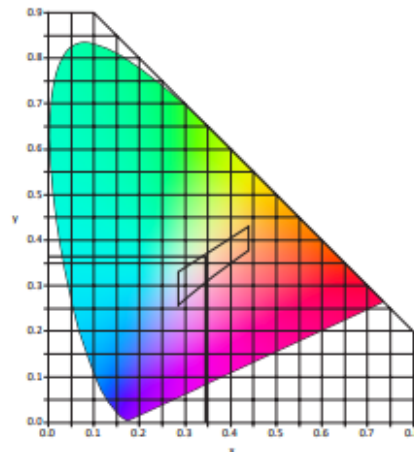
Inset - HELY - TLOF vertical light distribution - green light



The brightness intensity values complies with :

ICAO requirements Annex 14 Vol.2 fig.5-11/6

The light colour emitted by the light fixture is green, with the trichromatic coordinates:



x=0,347
 y=0,370
 z=0,283

The measured trichromatic coordinates correspond to colour range requirements in:

ICAO Annex 14 - Aerodromes Vol.1, fig. A1-1-1b.

Colours for aeronautical ground lights (solid state lighting)

Spare Parts

