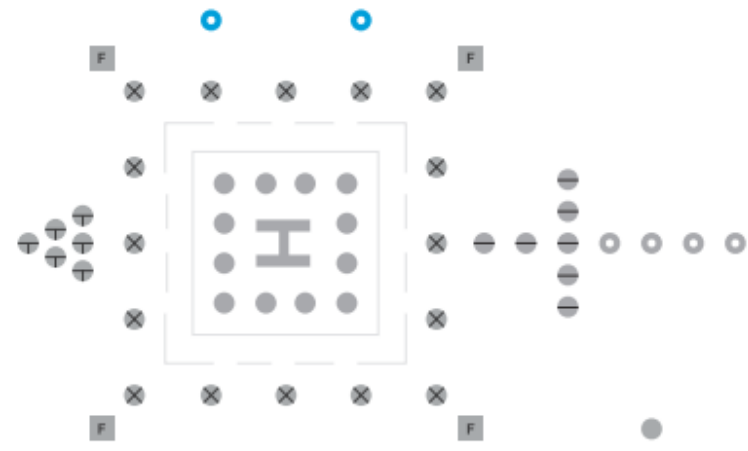






INSET TAXIWAY



<p>Compliance to standards</p>	<p>ICAO: International Civil Aviation Organization, Aerodromes, Annex 14, Vol. 1</p> <p>ICAO: Annex 14, Volume II - Heliports</p> <p>IEC TS 61827: Electrical installations for lighting and beaconing of aerodromes. Characteristics of inset and elevated luminaires used on aerodromes and heliports</p>
<p>Application</p>	<p>Taxiway lights</p>  <p>The diagram illustrates a taxiway lighting layout. At the top, two blue circles represent Taxiway Lights. Below them, a grid of grey 'X' marks represents FATO Lights. A central square area contains a grid of grey circles representing TLOF Lights, with a large 'I' symbol in the center. To the left and right of the TLOF area are groups of grey circles with horizontal lines, representing Approach Lights. At the bottom corners, there are grey squares representing Floodlights. At the bottom center, there is a single grey circle representing a Beacon Light. A legend at the bottom identifies the symbols: Aiming Point Lights (grey circle with crosshair), Taxiway Lights (blue circle), FATO Lights (grey 'X'), Floodlights (grey square), Approach Lights (grey circle with horizontal line), TLOF Lights (grey circle), and Beacon Light (grey circle).</p>
<p>Features</p>	<p>Designed and built with simplicity and ease of maintenance in mind. High power LED technology in 100000 hours estimated lifetime. Lightweight, low-energy and environment friendly lighting fitting. Extensive use of aluminium alloys reduces fitting weight and eases handling in the field.</p>

<p>Product Code</p>	<p>AL - 072 - 03 - BL</p> <p>Series Indicator (Airfield Lighting) AL Product Indicator 072 LEDs Number 03 LEDs Light Colour (blue) BL</p>
<p>Description</p>	<p>Housing - Powder coated aluminium RAL 1004 (aviation yellow) </p> <p>Dispenser - clear polycarbonate</p> <p>Dispenser flange - nickel plated ring</p> <p>Cable gland - nickel plated brass</p> <p>Fasteners - stainless steel</p>
<p>Environment</p>	<p>Temperature range: - 55° to +55°</p> <p>Degree of protection: IP X8</p> <p>Ka tested: Salt mist</p>
<p>Mounting</p>	<div style="display: flex; justify-content: space-around;"> <div style="text-align: center;"> <p>Φ160mm ElectroMax Shallow Base</p>  </div> <div style="text-align: center;"> <p>Φ8" IEC type Shallow Base with Adapter Ring</p>  </div> <div style="text-align: center;"> <p>Mounted on Φ160mm Base</p>  </div> </div>

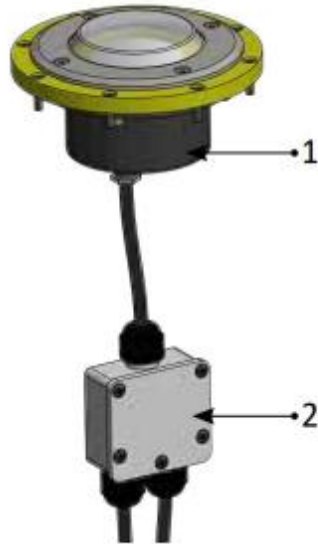
Electrical Characteristics

Power consumption: 6W

Power supply: 48V DC from controller - dimmable: 100%, 30%, 10%
0-230V, 50/60HZ - non dimmable

1.4A CC - dimmable: 100%, 30%, 10%(internal bypass + SPD)

Electrical Connections



1.Light Fixture pre cabled with 0,5m cable
Code:AL-072-03-BL

2.IP68 Electrical Junction Box
Code:AL-107-AX

Types of power supply:

-48V DC power supply from controller with 3 core cable

V+ (brown)

V- (blue)

Dimming (green/yellow)

-230V AC directly from mains power supply

Live (brown)

Neutral (blue)

Ground (green/yellow)

-1.4A CC power supply from controller with 2 core cable

V+ (red mark)

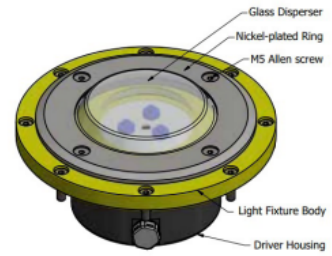
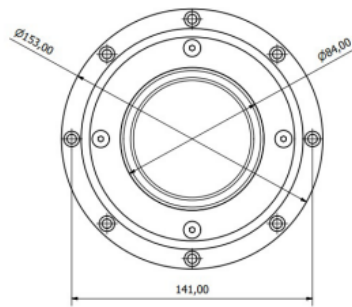
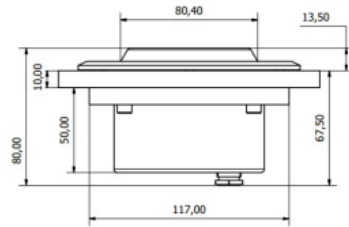
V- (blue mark)

Mechanical Characteristics

Diameter: 153 mm

Total height: 80 mm

Weight: 1.5 kg



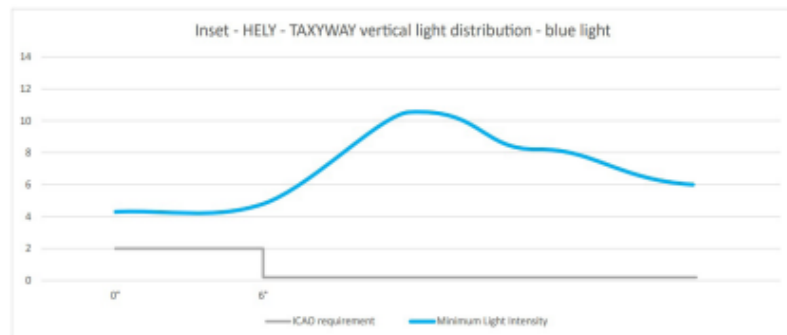
Photometric Characteristics

Intensity level: 100%, 30%, 10% version powered in 48 VDC or 1.4A CC

Horizontal output: 360°

Light colour: Blue light

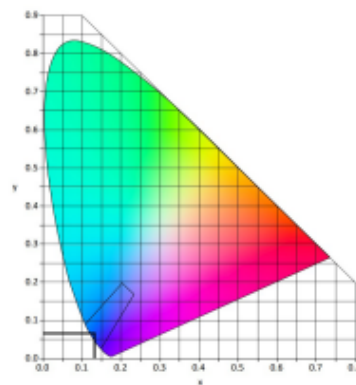
Vertical elevation angle	0° - 6°	>6°
Required minimum intensity [cd]	2	0.2
Measured minimum intensity [cd]	4.3	10.6



The brightness intensity values complies with:

ICAO requirements Annex 14 Vol.1 cap. 5.3.18.8

The light colour emitted by the light fixture is blue, with the trichromatic coordinates:



$x=0,135$

$y=0,056$

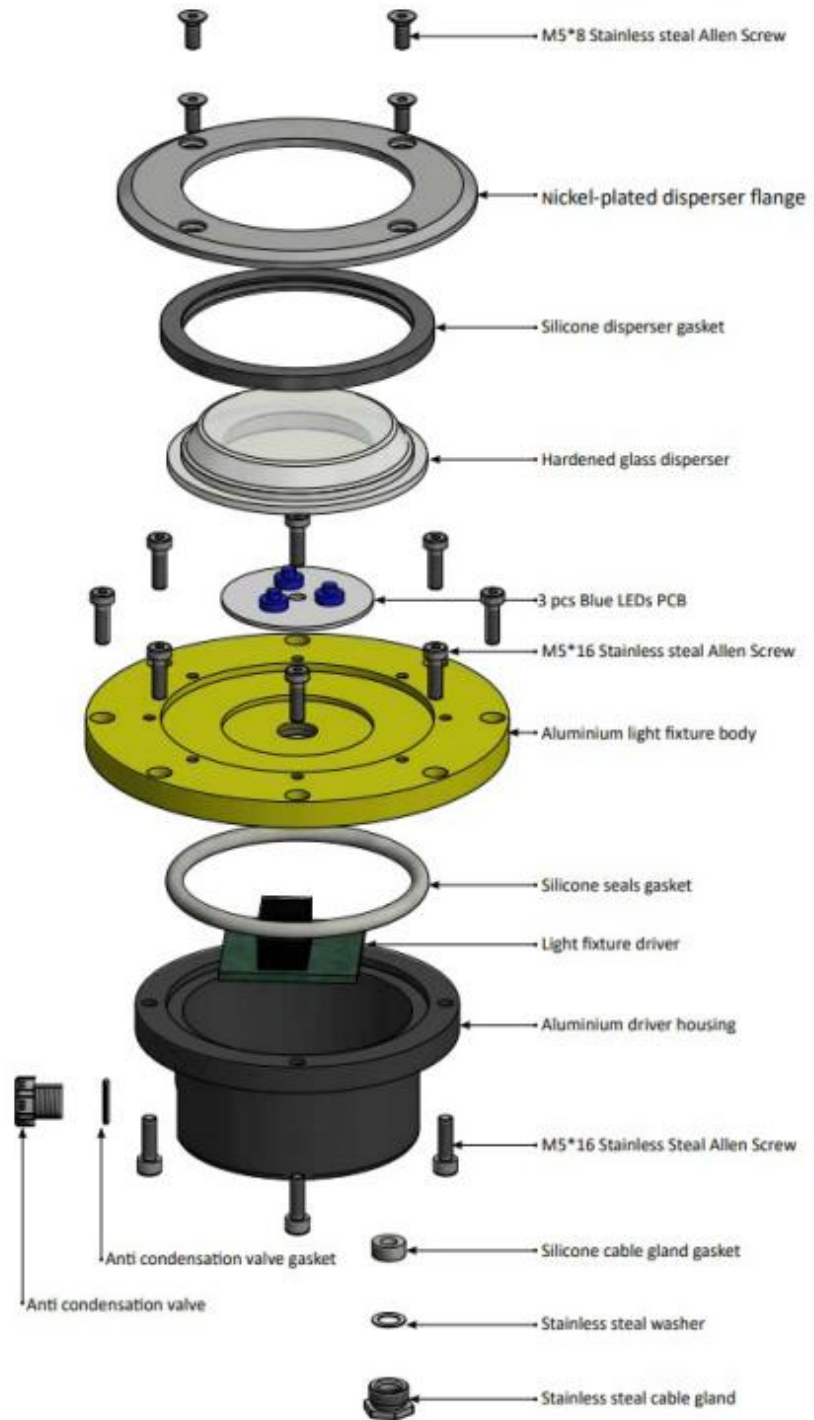
$z=0,809$

The measured trichromatic coordinates correspond to colour range requirements in:

ICAO Annex 14 - Aerodromes Vol.1, fig. A1-1-1b.

Colours for aeronautical ground lights (solid state lighting)

Spare
Parts



Accessory

#	NAME - SERIES	PRODUCT CODE	IMAGE
1	ElectroMax Standard Φ 160mm Shallow Base	AL-104-AX	
2	Adapter Ring for 8" Shallow Base	AL-105-AX	
3	Φ 160mm Surface Mounted Base	AL-106-AX	
4	IP68 Electrical Junction Box	AL-107-AX	
5	Φ 160mm Shallow Base Installation Jig	AL-108-AX	