

INSET FATO



Compliance to standards

ICAO:

International Civil Aviation Organization, Aerodromes, Annex 14, Vol. 1

ICAO:

Annex 14, Volume II - Heliports

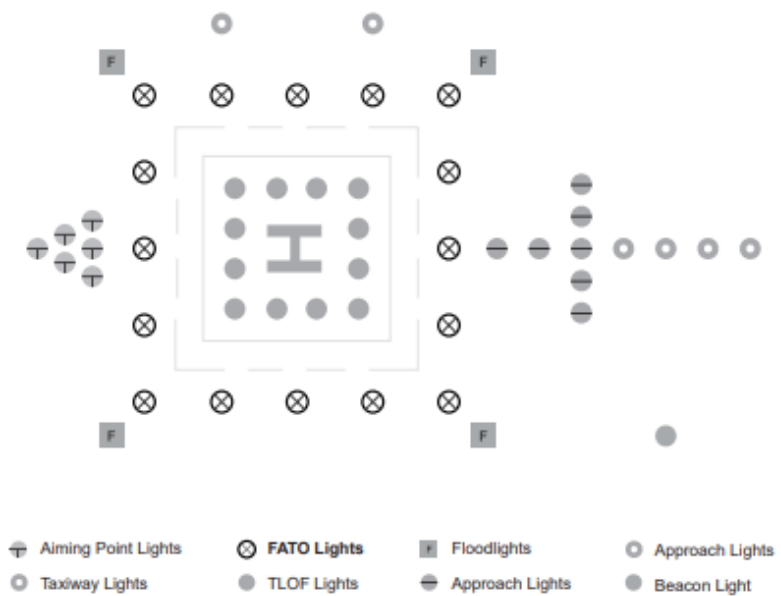
IEC TS 61827:

Electrical installations for lighting and beaconing of aerodromes.

Characteristics of inset and elevated luminaires used on aerodromes and heliports





Application

Aiming point and FATO lights (Final Approach and Take Off Area)



Features

Designed and built with simplicity and ease of maintenance in mind.
High power LED technology in 100000 hours estimated lifetime.
Lightweight, low-energy and environment friendly lighting fitting.
Extensive use of aluminium alloys reduces fitting weight and eases handling in the field.

<p>Product Code</p>	<p>AL - 071 - 04 - WH</p> <p>Series Indicator (Airfield Lighting) AL Product Indicator 071 LEDs Number 04 LEDs Light Colour (cool white) WH</p>
<p>Description</p>	<p>Housing - Powder coated aluminium RAL 1004 (aviation yellow) </p> <p>Dispenser - clear polycarbonate Dispenser flange - nickel plated ring Cable gland - nickel plated brass Fasteners - stainless steel</p>
<p>Environment</p>	<p>Temperature range: - 55° to +55° Degree of protection: IP X8 Ka tested: Salt mist</p>
<p>Mounting</p>	<div style="display: flex; justify-content: space-around;"> <div style="text-align: center;"> <p><small>Φ160mm ElectroMax Shallow Base</small></p>  </div> <div style="text-align: center;"> <p><small>Φ8" IEC type Shallow Base with Adapter Ring</small></p>  </div> <div style="text-align: center;"> <p><small>Mounted on Φ160mm Base</small></p>  </div> </div>

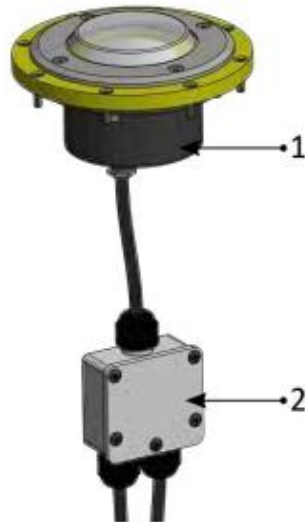
Electrical Characteristics

Power consumption: 9W

Power supply: 48V DC from controller - dimmable: 100%, 30%, 10%
90-230V, 50/60HZ - non dimmable

1.4A CC - dimmable: 100%, 30%, 10%(internal bypass + SPD)

Electrical Connections



1.Light Fixture pre cabled with 0,5m cable
Code:AL-071-04-WH

2.IP68 Electrical Junction Box
Code:AL-107-AX

Types of power supply:

-48V DC power supply from controller with 3 core cable

V+ (brown)

V- (blue)

Dimming (green/yellow)

-230V AC directly from mains power supply

Live (brown)

Neutral (blue)

Ground (green/yellow)

-1.4A CC power supply from controller with 2 core cable

V+ (red mark)

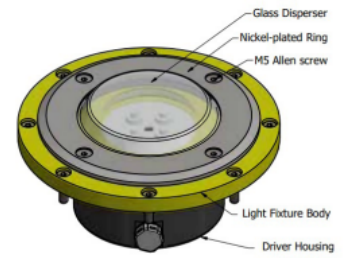
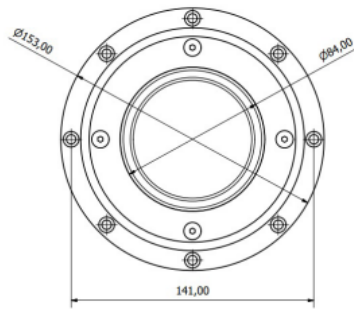
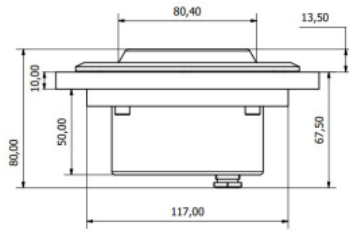
V- (blue mark)

Mechanical Characteristics

Diameter: 153 mm

Total height: 80 mm

Weight: 1.5 kg



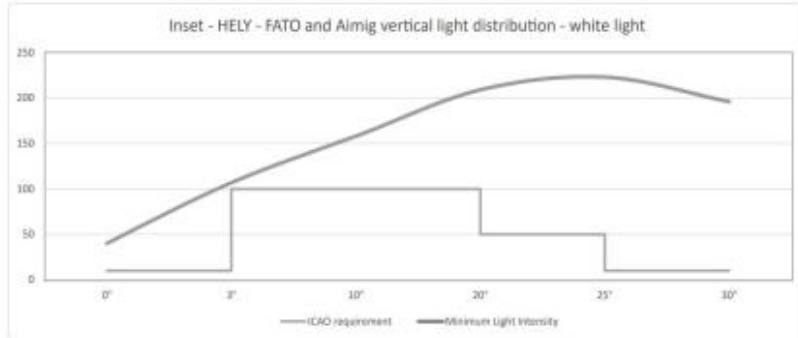
Photometric Characteristics

Intensity level: 100%, 30%, 10% version powered in 48 VDC or 1.4A CC

Horizontal output: 360°

Light colour: White light

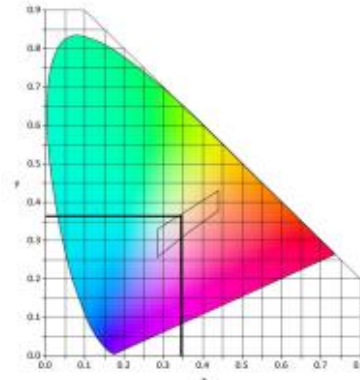
Vertical elevation angle	0°	3°	10°	20°	25°	30°
Required minimum intensity [cd]	10	100	100	100	50	10
Measured minimum intensity [cd]	40.3	104	158	209	223	196



The brightness intensity values complies with:

ICAO requirements Annex 14 Vol.2 fig. 5-11/5

The light colour emitted by the light fixture is blue, with the trichromatic coordinates:



$x=0,347$

$y=0,370$

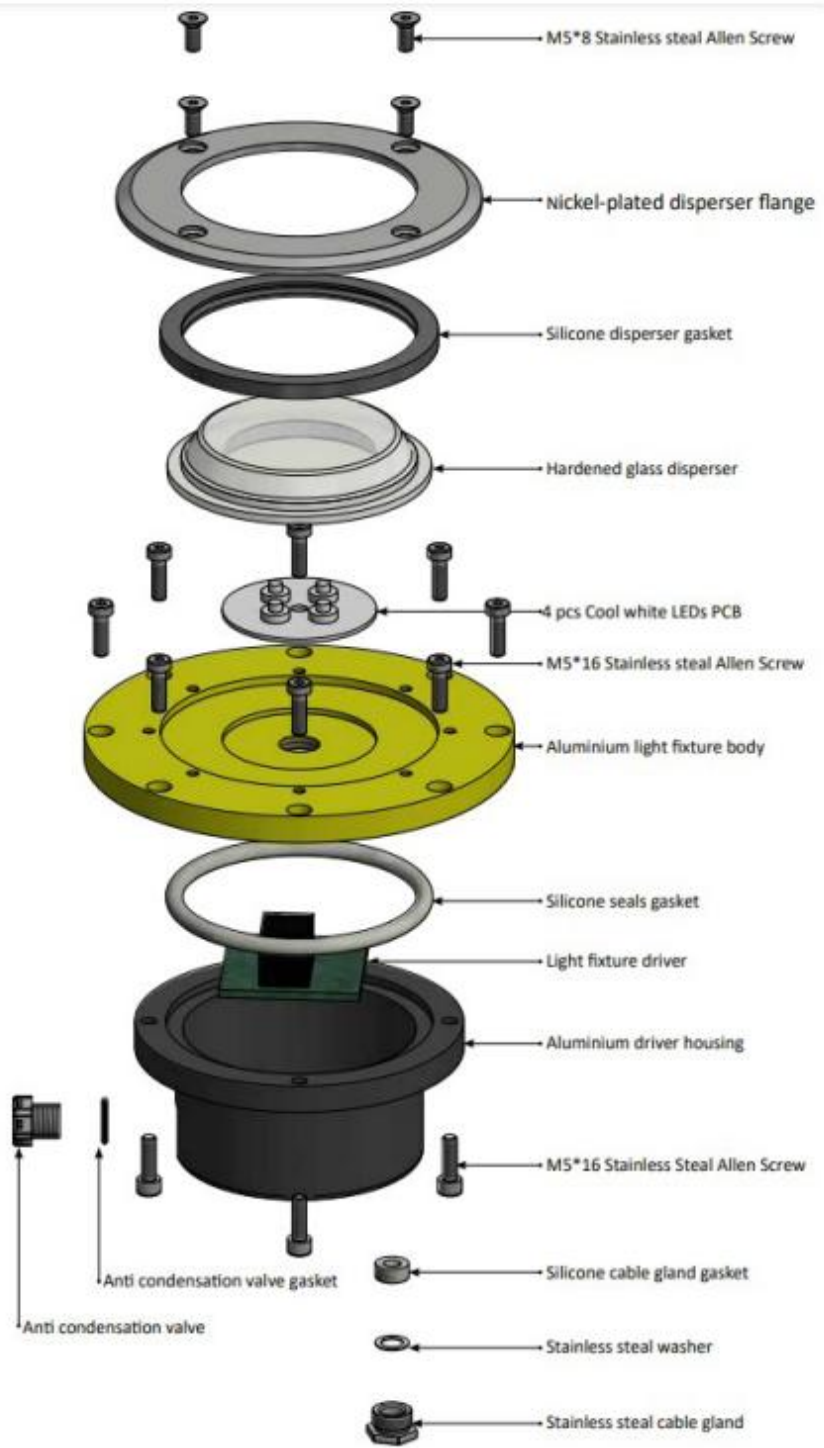
$z=0,283$

The measured trichromatic coordinates correspond to colour range requirements in:





ICAO Annex 14 - Aerodromes Vol.1, fig. A1-1-1b.

Colours for aeronautical ground lights (solid state lighting)

Spare
Parts



Accessory

#	NAME - SERIES	PRODUCT CODE	IMAGE
1	ElectroMax Standard Φ 160mm Shallow Base	AL-104-AX	
2	Adapter Ring for 8" Shallow Base	AL-105-AX	
3	Φ 160mm Surface Mounted Base	AL-106-AX	
4	IP68 Electrical Junction Box	AL-107-AX	
5	Φ 160mm Shallow Base Installation Jig	AL-108-AX	