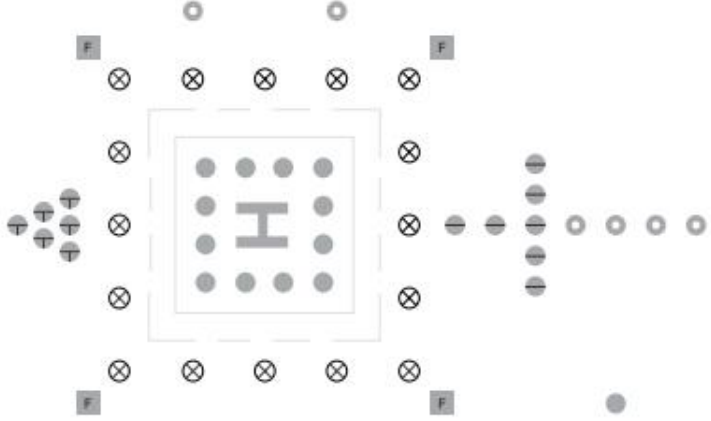



Flat FATO

Final Approach and Take Off

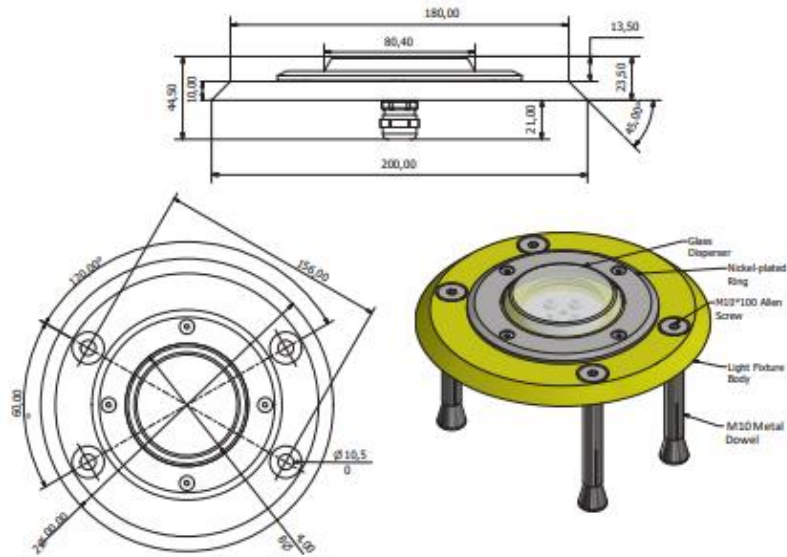


<p>Compliance to standards</p>	<p>ICAO: Annex 14, Volume I - Aerodrome Design and Operations Annex 14, Volume II - Heliports</p> <p>IEC TS 61827: Electrical installations for lighting and beaconing of aerodromes. Characteristics of inset and elevated luminaires used on aerodromes and heliports</p>
<p>Application</p>	<p>Aiming point and FATO lights (Final Approach and Take Off Area)</p>  <p> ⊕ Aiming Point Lights ⊗ FATO Lights ■ Floodlights ○ Approach Lights ○ Taxiway Lights ● TLOF Lights ⊖ Approach ● Beacon Light </p>
<p>Features</p>	<p>Designed and built with simplicity and ease of maintenance in mind. High power LED technology. Lightweight, low-energy and environment friendly lighting fitting. Extensive use of aluminium alloys reduces fitting weight and eases handling in the field.</p>

Product Code	<p>AL - 071 - 04 - WH-F</p> <p>Series Indicator (Airfield Lighting) AL Product Indicator 071 LEDs Number (4 LEDs) 04 LEDs Light Colour (cool white) WH Indicative for surface mounting fixture F</p>
Description	<p>Housing - Powder coated aluminium RAL 1004 (aviation yellow) </p> <p>Dispenser - hardened glass</p> <p>Dispenser flange - nickel plated ring</p> <p>Cable gland - nickel plated brass</p> <p>Fasteners - stainless steel</p> <p>Light fixtures are provided with anti condensation valve.</p>
Environment	<p>Temperature range: - 55° to +55°</p> <p>Degree of protection: IP X8</p> <p>Ka tested: Salt mist in accordance with IEC 60068-2-11 and IEC 60068-2-25</p>
Mounting	<p>Light fixtures are designed to be mounted on any hard flat surface, such as:</p> <ul style="list-style-type: none"> • concrete • asphalt • metallic structures

Mechanical Characteristics

Diameter: 200 mm
Height: 23.5 mm without cable gland; 44.5 with cable gland
Weight: 1.5 kg



Electrical Characteristics

Power consumption 9W
Power supply 48V DC from controller - dimmable : 100% ,30%, 10%
 90-230V, 50/60Hz - non dimmable

1. Light Fixture pre cabled :
Code : AL-071-04-WH-F
2. IP68 Electrical Junction Box :
Code : AL-107-AX



Types of power supply :

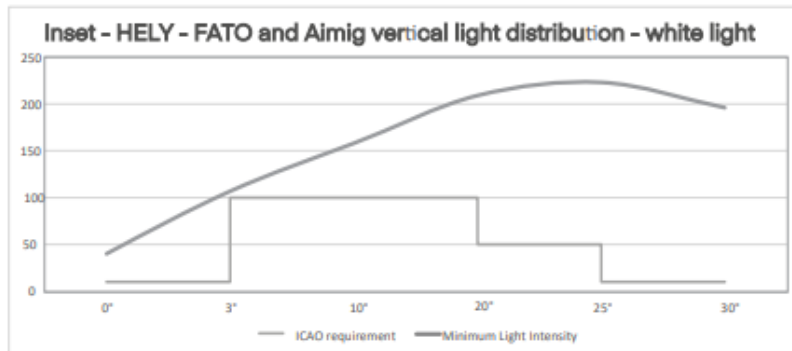
- 48V DC power supply from controller with 3 core cable
 - V+** (brown)
 - V-** (blue)
 - Dimming** (green/yellow)
- 230V AC directly from mains power supply
 - Live** (brown)
 - Neutral** (blue)
 - Ground** (green/yellow)

The light fixtures will be provided with sufficient length cable, which will be laid through a channel outside the heliport area, where it will be electrically connected using an IP65-rated junction box.

Photometric Characteristics

Intensity level: 100%, 30%, 10% with controller in 48VDC
Horizontal output: 3600
Light colour: White light

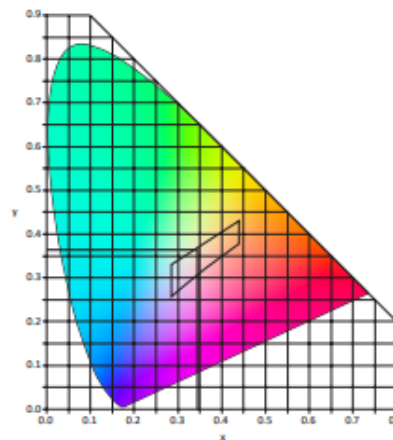
Vertical elevation angle	0°	3°	10°	20°	25°	30°
Required minimum intensity [cd]	10	100	100	100	50	10
Measured minimum intensity [cd]	40.3	104	158	209	223	196



The brightness intensity values complies with :

ICAO requirements Annex 14 Vol.2 fig.5-11/6

The light colour emitted by the light fixture is white, with the trichromatic coordinates:



The measured trichromatic coordinates correspond to colour range requirements in:

ICAO Annex 14 - Aerodromes Vol.1, fig. A1-1-1b.

Colours for aeronautical ground lights (solid state lighting)

**Spare
Parts**

