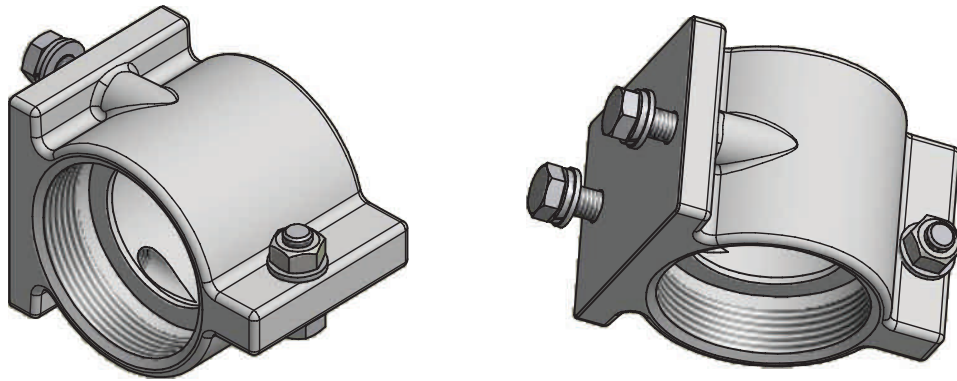
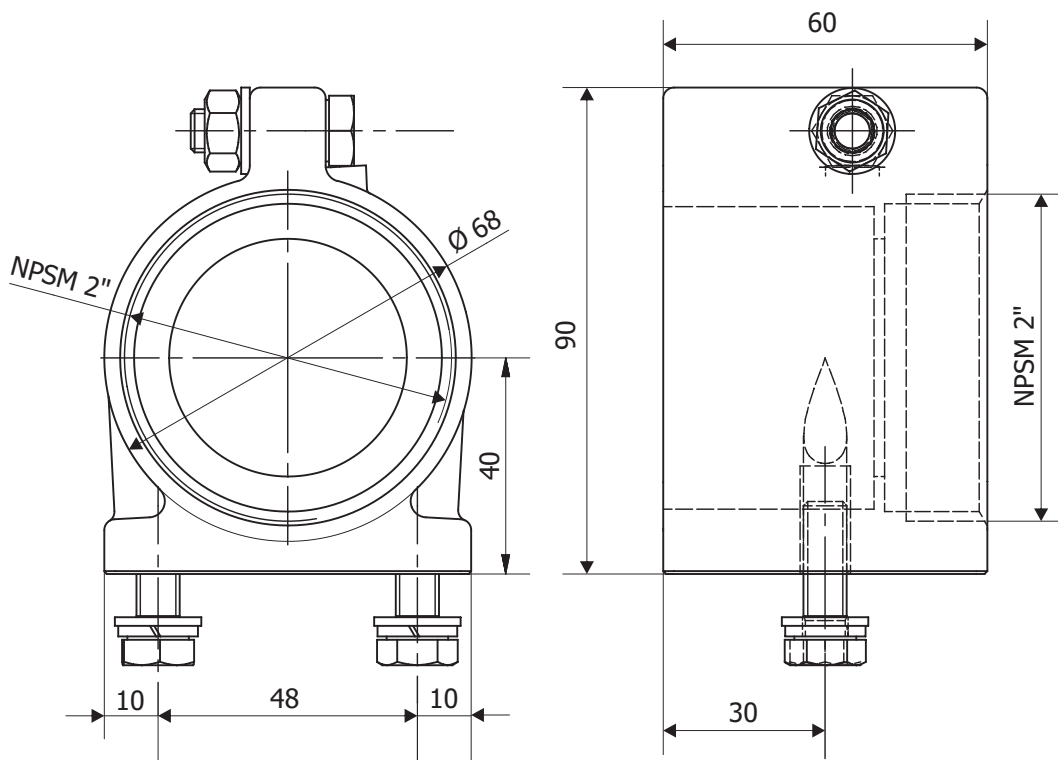


002 013 - socket with thread 2" NPSM

lights
ordering code 911-000

* socket may be used as a substitute for socket 002 003 in conjunction with breakable coupling 001 050 (socket 002 003 as been excluded from the production)



chapter:

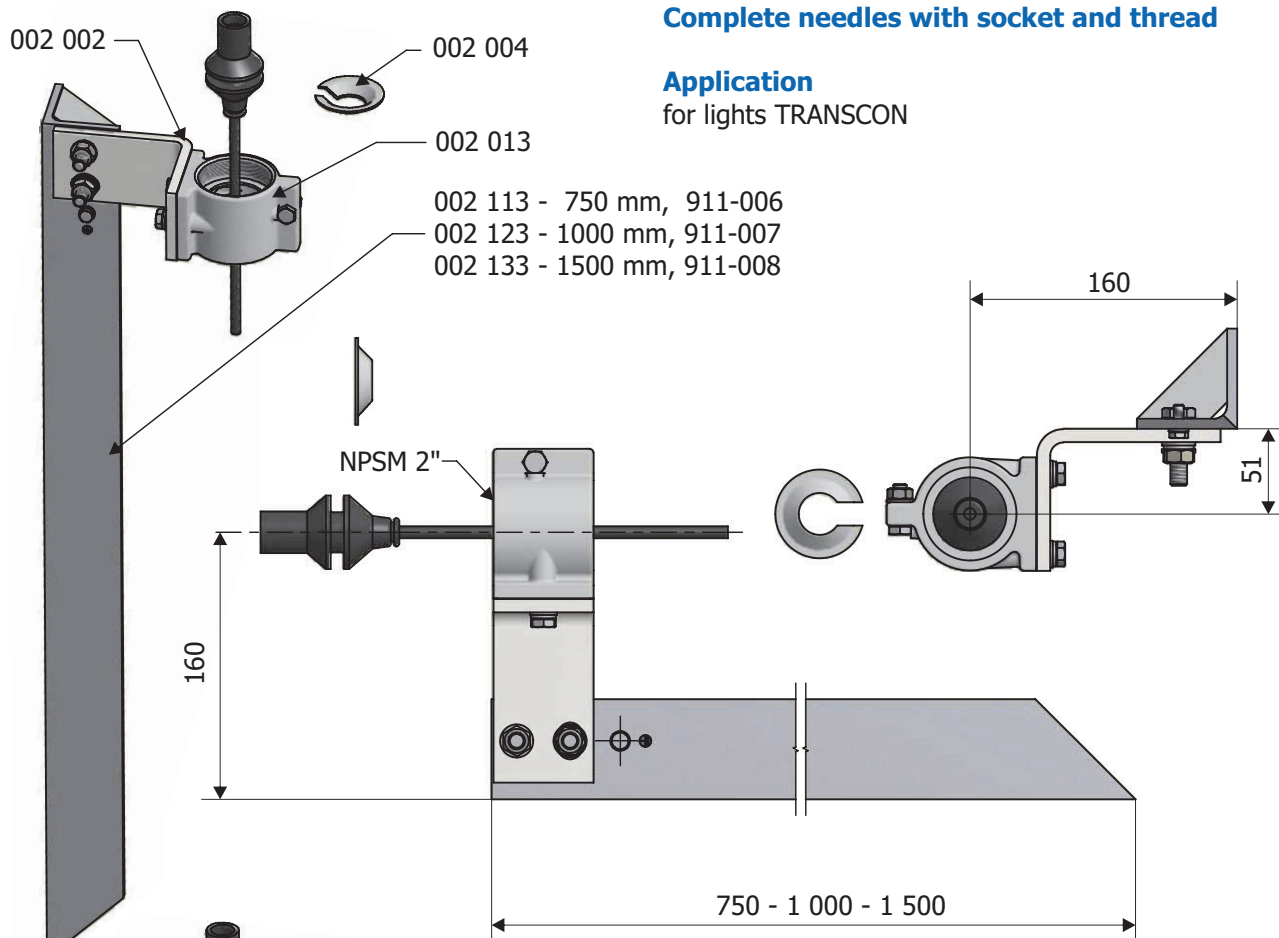
5.10.4

NEEDLES

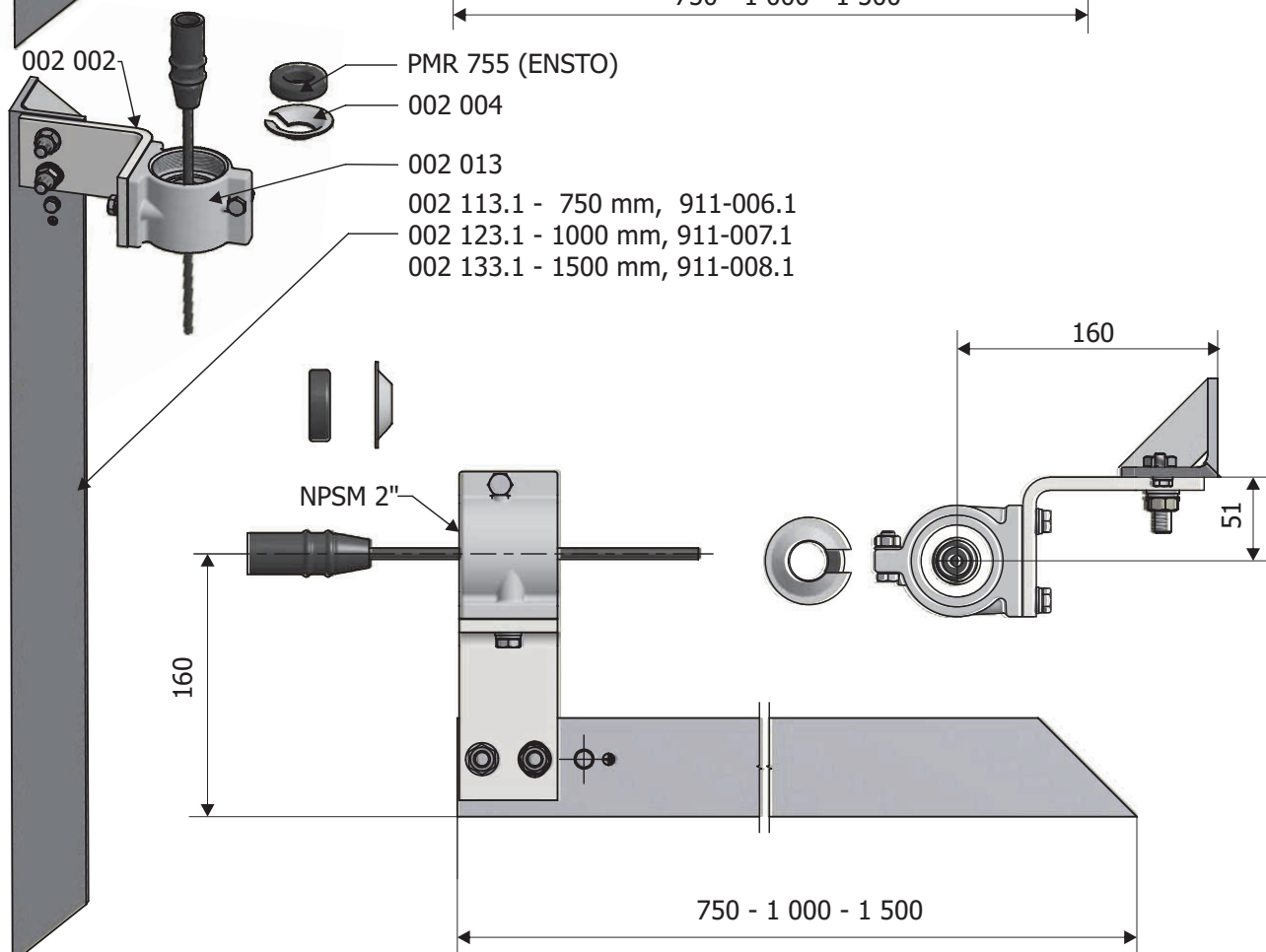


Complete needles with socket and thread

Application
for lights TRANSCON



- 002 113 - 750 mm, 911-006
- 002 123 - 1000 mm, 911-007
- 002 133 - 1500 mm, 911-008



- 002 113.1 - 750 mm, 911-006.1
- 002 123.1 - 1000 mm, 911-007.1
- 002 133.1 - 1500 mm, 911-008.1