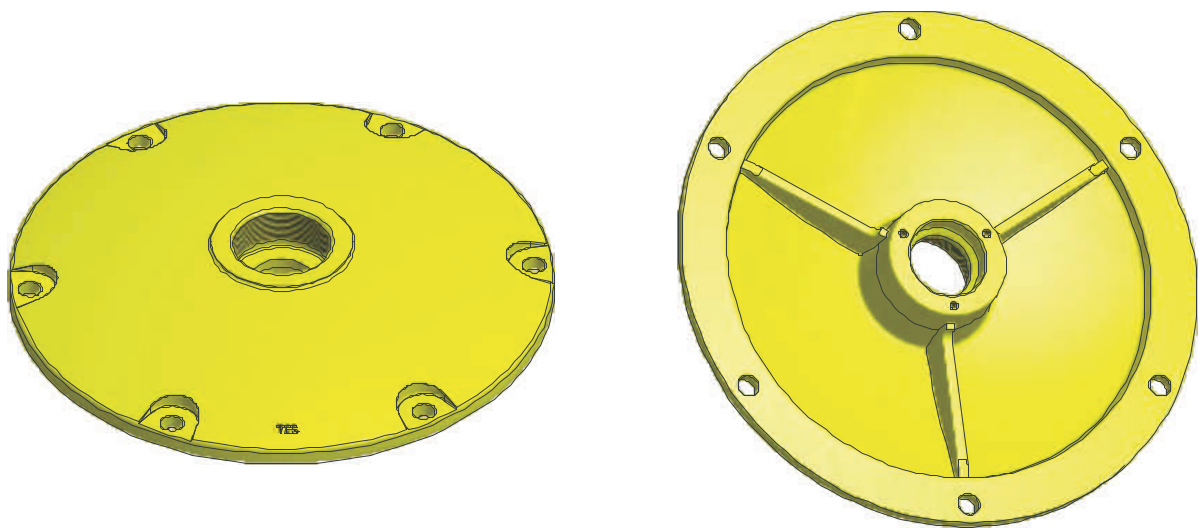
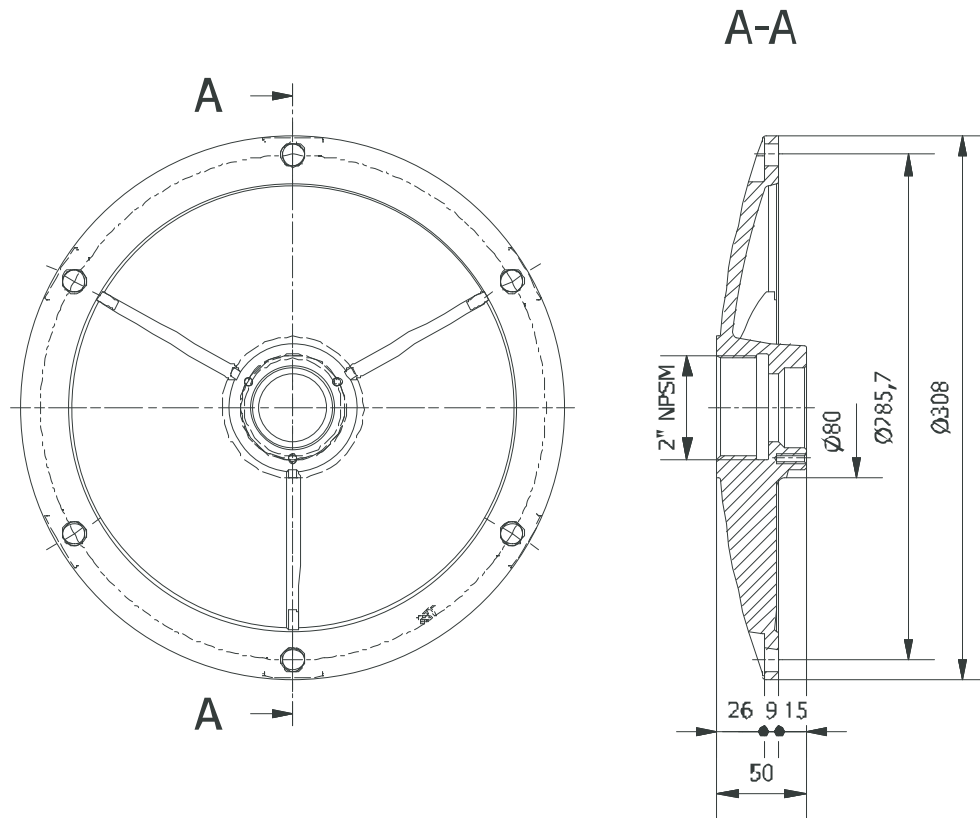


**002 660** - 12" with thread 2" NPSM  
on concrete  
ordering code 460-032



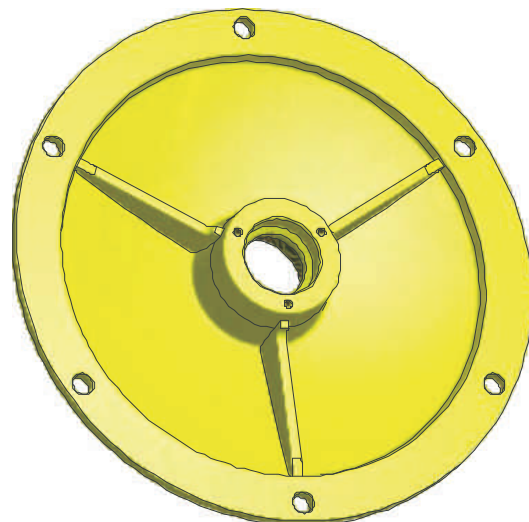
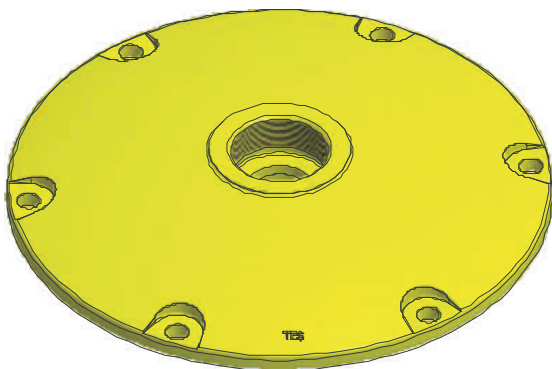
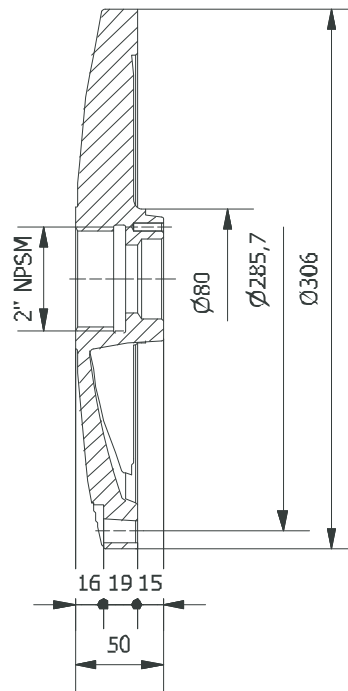
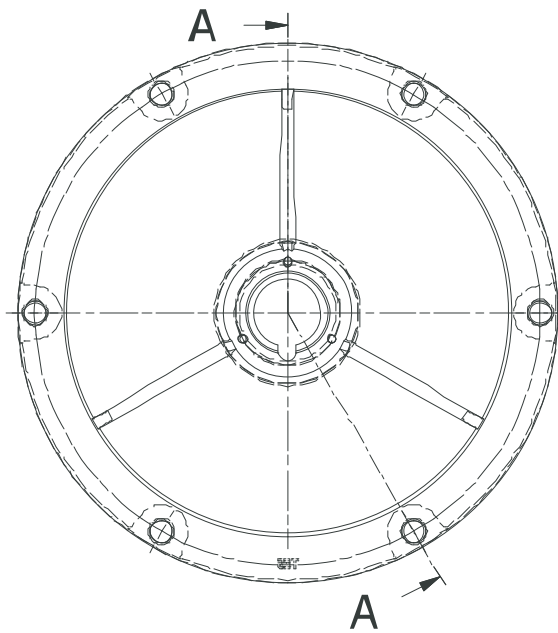
chapter:

# 5.10.6 BASE PLATE

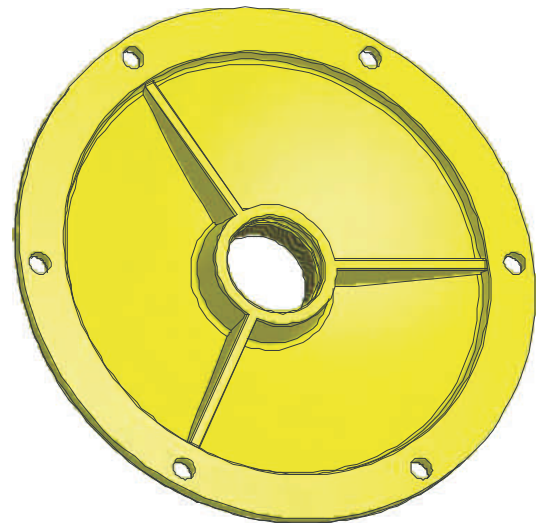
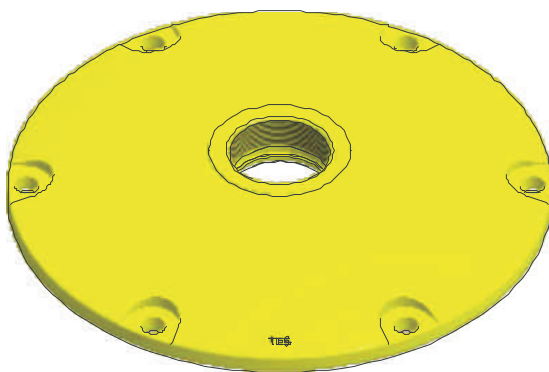
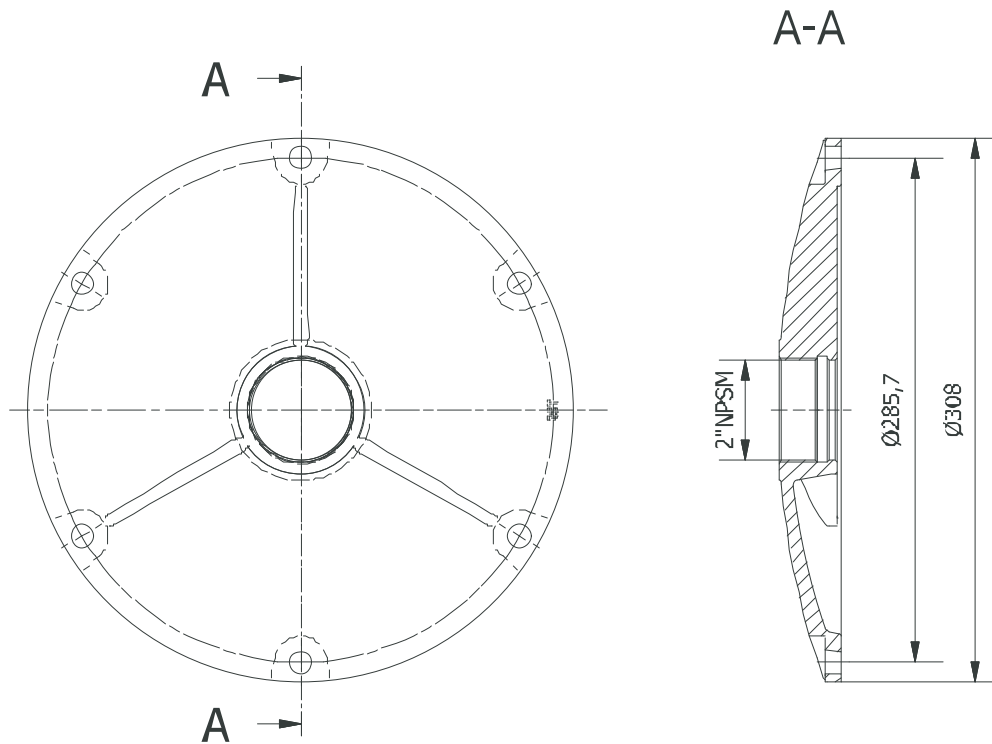
**002 661**

12" with thread 2" NPSM setting on substructure  
ordering code 460-031

A-A ( 1 : 4,7 )



**002 662** -12" with thread 2" NPSM  
for mobile airport on concrete  
ordering code 460-033



chapter:

## 5.10.6

**002 663**

12" with thread 2" NPSM, height 18 mm for LED signs  
ordering code 460-034

