

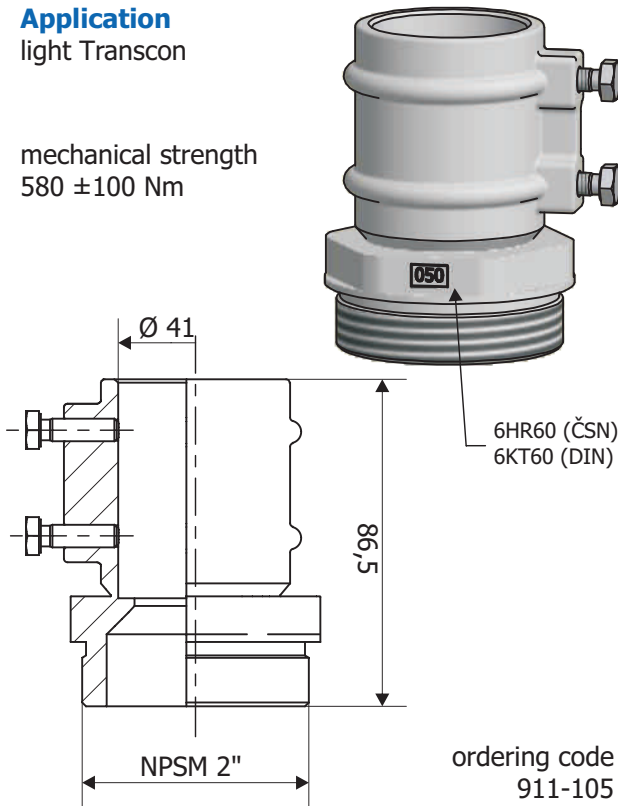


# BREAKABLE COUPLING 5.10.1

## 001 050

**Application**  
light Transcon

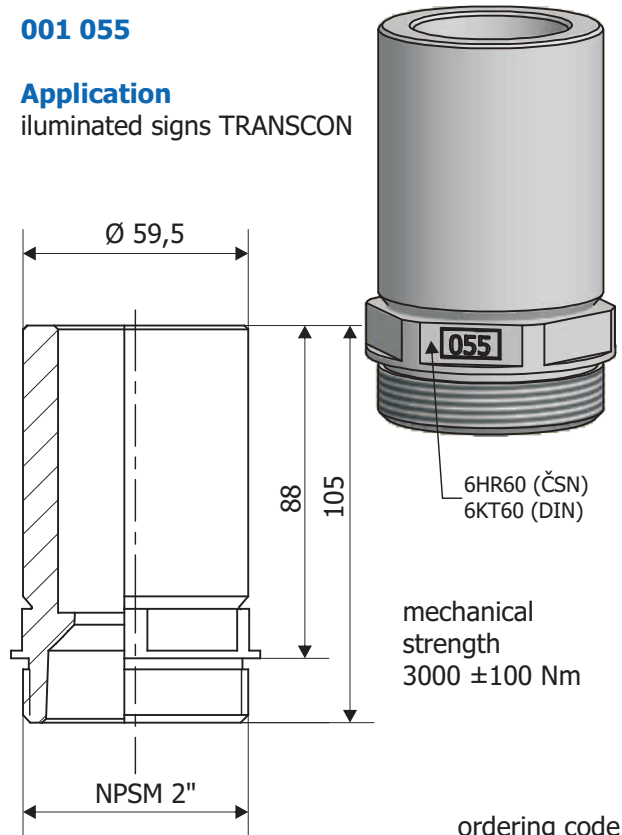
mechanical strength  
580 ±100 Nm



ordering code  
911-105

## 001 055

**Application**  
illuminated signs TRANSCON



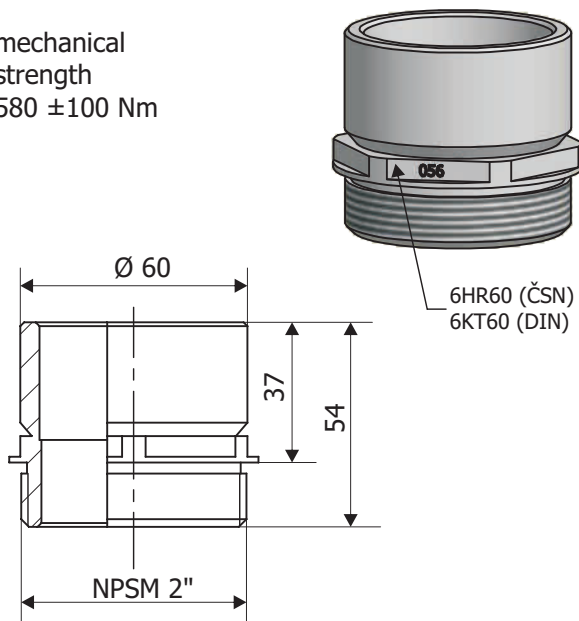
mechanical strength  
3000 ±100 Nm

ordering code  
911-102

## 001 056

**Application**  
light Transcon

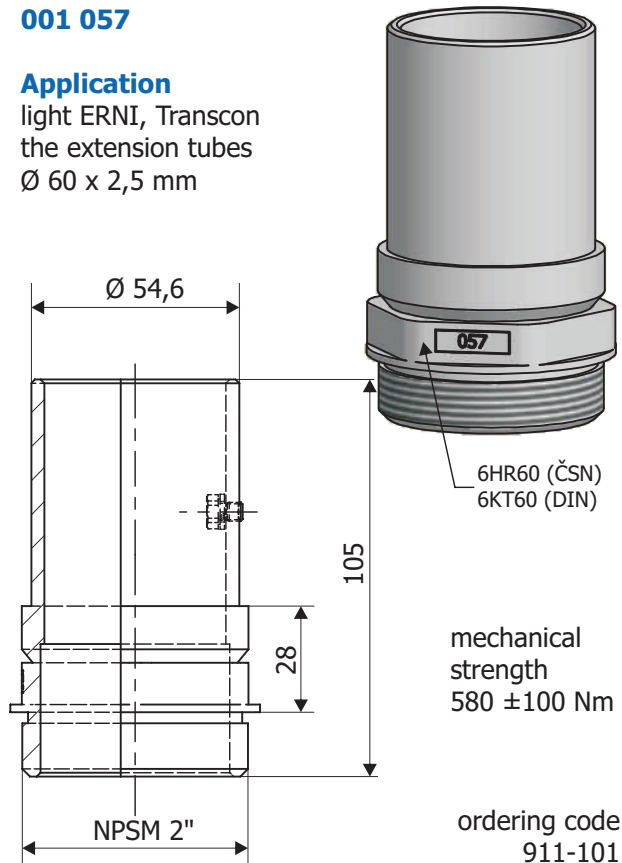
mechanical strength  
580 ±100 Nm



ordering code  
911-100

## 001 057

**Application**  
light ERNI, Transcon  
the extension tubes  
Ø 60 x 2,5 mm



mechanical strength  
580 ±100 Nm

ordering code  
911-101

chapter:

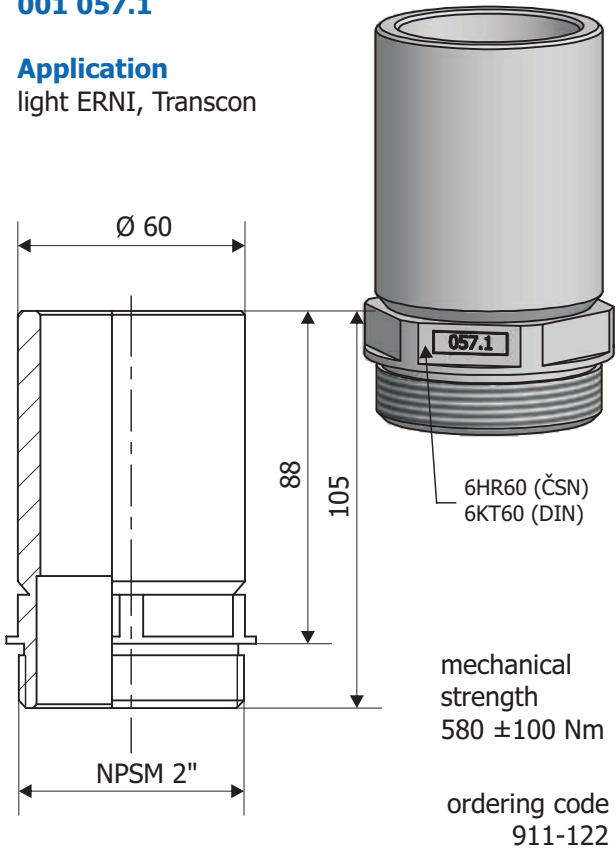
# 5.10.1 BREAKABLE COUPLING



## 001 057.1

### Application

light ERNI, Transcon



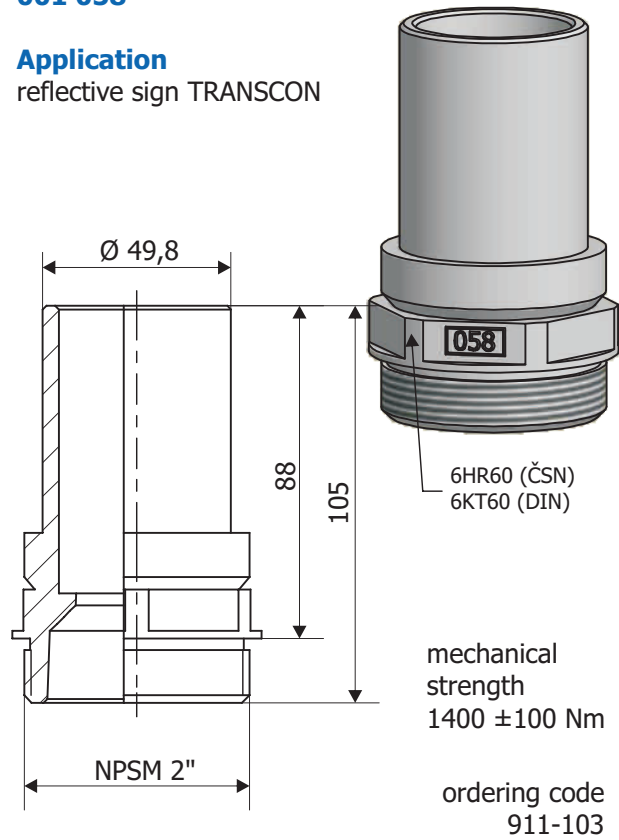
mechanical strength  
580 ±100 Nm

ordering code  
911-122

## 001 058

### Application

reflective sign TRANSCON



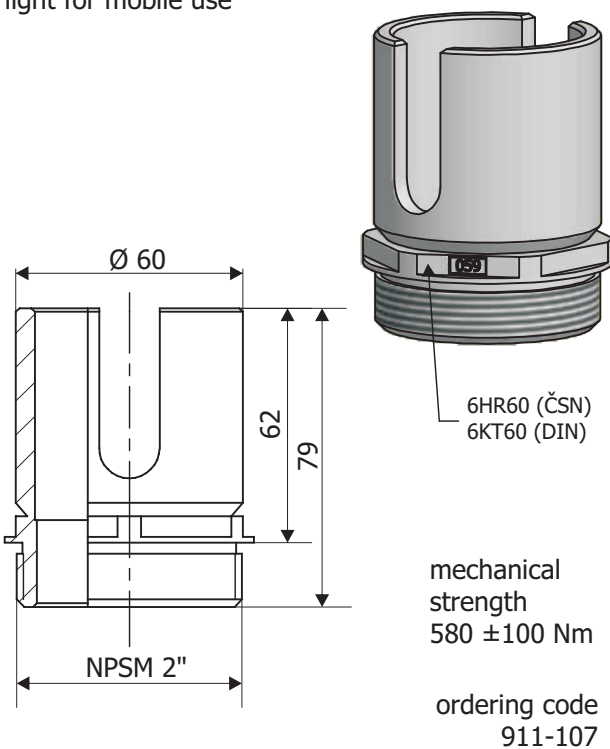
mechanical strength  
1400 ±100 Nm

ordering code  
911-103

## 001 059

### Application

light for mobile use



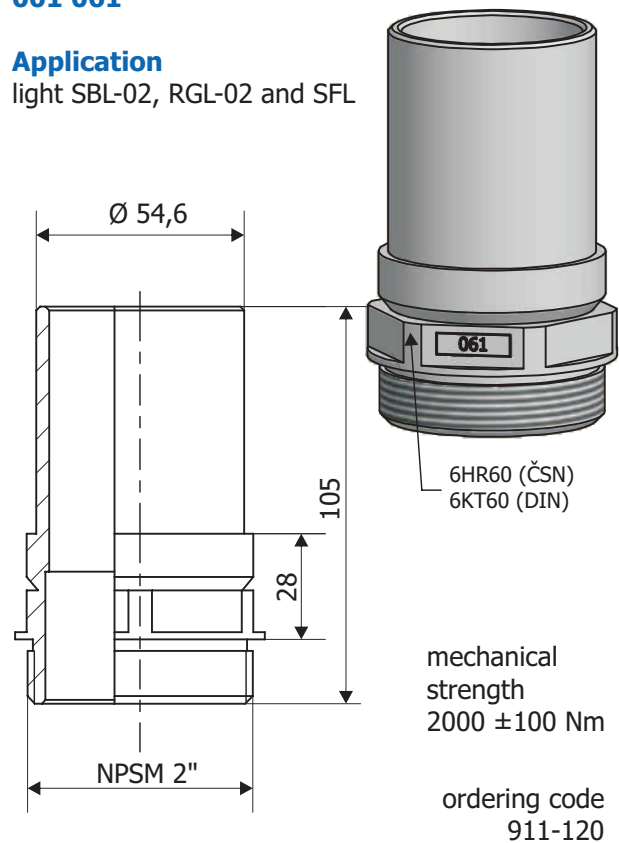
mechanical strength  
580 ±100 Nm

ordering code  
911-107

## 001 061

### Application

light SBL-02, RGL-02 and SFL



mechanical strength  
2000 ±100 Nm

ordering code  
911-120

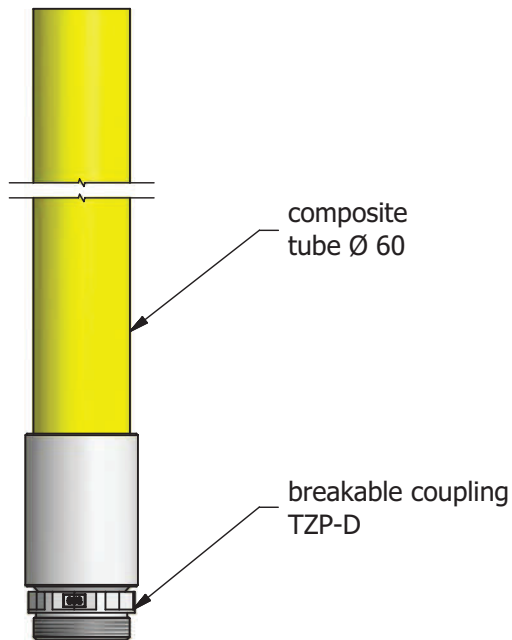


# BREAKABLE COUPLING 5.10.1

## ASSEMBLY

### Application

Airports Sign TZP-D



chapter:

# 5.10.1 BREAKABLE COUPLING



This page is intentionally left blank.