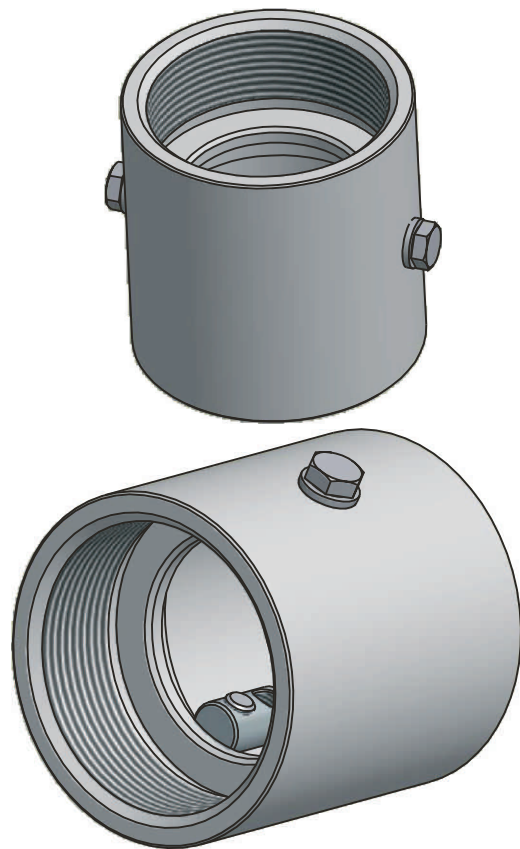
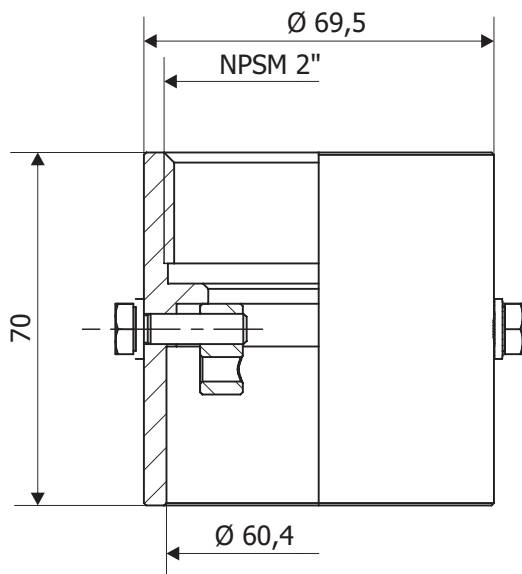


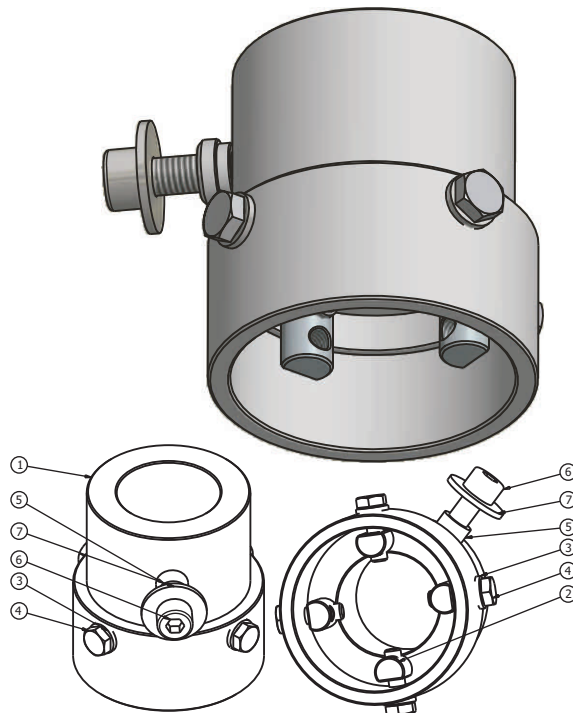
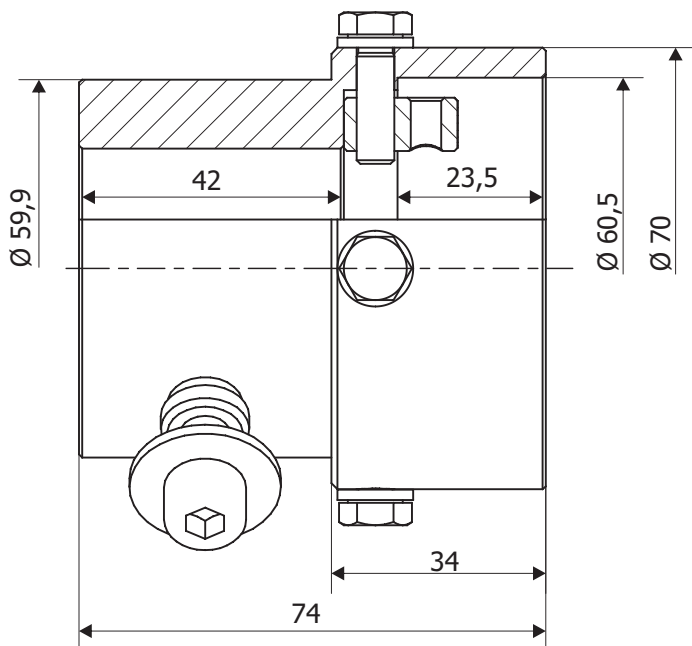
**001 060****Application**

adapter for tube diameter  
60 mm for thread 2" NPSM

ordering code 911-106

**001 062****Application**

adapter from tube diameter 60 mm for light  
ordering code 911-154



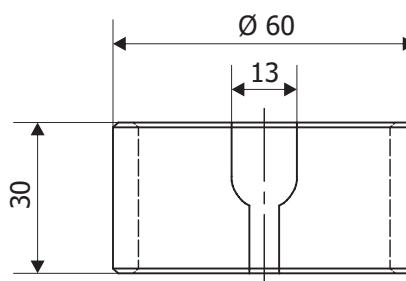
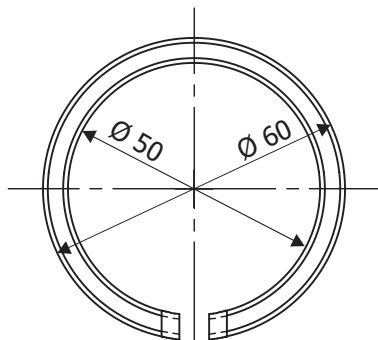
1. transition from tube diameter 60 mm for light EL 217 SFL
2. modified nuts (2xM6)
3. flat Washer diameter M6
4. hexagon screw M6 x 20
5. distanc average 8 mm I-7 mm
6. cylinder head screws with hexagon socket M8 x 30
7. flat washer diameter M8

chapter:

# 5.10.2 TRANSITIONS

**001 063****Application**

the adapter from  $\varnothing 50$  to  $\varnothing 60$  mm from the pedestal  
STR-N30  
ordering code 490-940

**PEDESTAL TRANSCON**

adjustable pedestal  
ordering code 315-921T

