

➔Application

- ensuring of uninterrupted power supply source for airport equipment

➔Certificate basis

- airports in accordance with all ICAO categories

➔Description/Properties

- automatic stand-in between mains supply sources and feeding from diesel generator sets
- it feeds auxiliary distributors, which feed airport equipment, which requires uninterrupted power supply
- upon the customer's wish it is possible to equip the distributor with any combination of one-, two- or three-phase outlets
- montage of the steel stand
- control and monitoring elements on the door
- optional remote control and monitoring
- it is equipped with PLC touch-screen display

➔Variants

4 individual inlets

TRS 10.A 400 A, TRS 10.B 630 A, TRS 10.C 250A

- two individual buses (BUS-A, BUS-B), which serve as two individual, mutually backed inlets for individual devices
- four individual 3-phase inlets
 - two mains inlets (NETWORK-A, NETWORK-B)
 - two inlets from diesel generator sets (DG-A, DG-B)
- inlets NETWORK-A and DG-A go to the bus BUS-A, inlets NETWORK-B and DG-B to the bus BUS-B
- a crosscut is between the buses BUS-A and BUS-B
- front door contains panel with mnemonic diagram of signalling and control elements

3 individual inlets - TRS 10.D2 160 A

- one bus (BUS)
- three individual 3-phase inlets
 - two mains inlet (NETWORK)
 - one inlet from diesel generator sets (DG)
- front door contains panel with mnemonic diagram of signalling and control elements



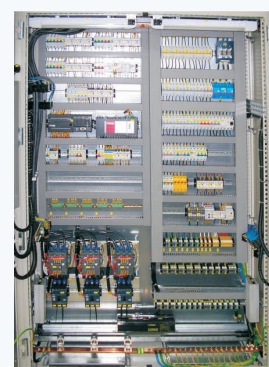
TRS 10.A



TRS 10.B



TRS 10.C



TRS 10.D2

chapter:

4.2

TRS 10



Common parameters

- voltage system
3PEN 50 Hz 230/400 V (220/380 V) TN-C-S
- protection against dangerous contact with exposed conductive parts automatic disconnection from source in the networks TN-C-S
- synchronism factor 1,0
- temperature range -5 / +40 °C
- resistance to vibrations 0,15 mm / 1–35 Hz
- protection of closed distributor IP 43
- protection of open distributor IP 00



TECHNICAL PARAMETERS	TRS 10.A	TRS 10.B	TRS 10.C	TRS 10.D2
classification	CAT I, CAT II, CAT III	CAT I, CAT II, CAT III	CAT I, CAT II, CAT III	NO CAT
number of inlets	4	4	4	3
rated current	400 A	630 A	250 A	160 A
weight [kg]	~730	~1170	~500	~300
stand dimensions [mm]	3000x200x600	5200x200x600	1800x200x600	1200x200x400
dimensions without stand[mm]	3000x2000x650	5200x2000x650	1800x2000x650	1200x2000x450

ELECTRICAL PARAMETERS OF INLETS

minimum duration of loss of voltage on the bus in case of switching between the inlets	T1 = 200 ms (due to initialization of all connected devices)
time of presence of feeding mains for return from diesel generator sets to mains supply	T2 = 5-600 sec (this time can be set by the user)
maximum duration of switching between two inlets	T3 = 1 sec (maximum duration of power failure on the bus)
time for evaluation of failure if the diesel generator sets do not start up	T4 = 15 sec
tolerance of input voltage at individual inlets	+10 % / -15 % (adjustable)
tolerance of input voltage frequency at individual inlets	+10 % / -10 %

Example of distributor identification:

TRS 10 . AN . ZZ

Variant

- A 2 x bus bar 400 A, 2 inlets 400 A + 2 inlets 200 A + bus bar connector 200 A, 3x230/400 V, 50 Hz
 B 2 x bus bar 630 A, 2 inlets 630 A + 2 inlets 315 A + bus bar connector 315 A, 3x230/400 V, 50 Hz
 C 2 x bus bar 250 A, 2 inlets 250 A + 2 inlets 140 A + bus bar connector 140 A, 3x230/400 V, 50 Hz
 D2 1 x bus bar 160 A, 3 inlets 160 A - 3x230/400 V, 50 Hz

Execution

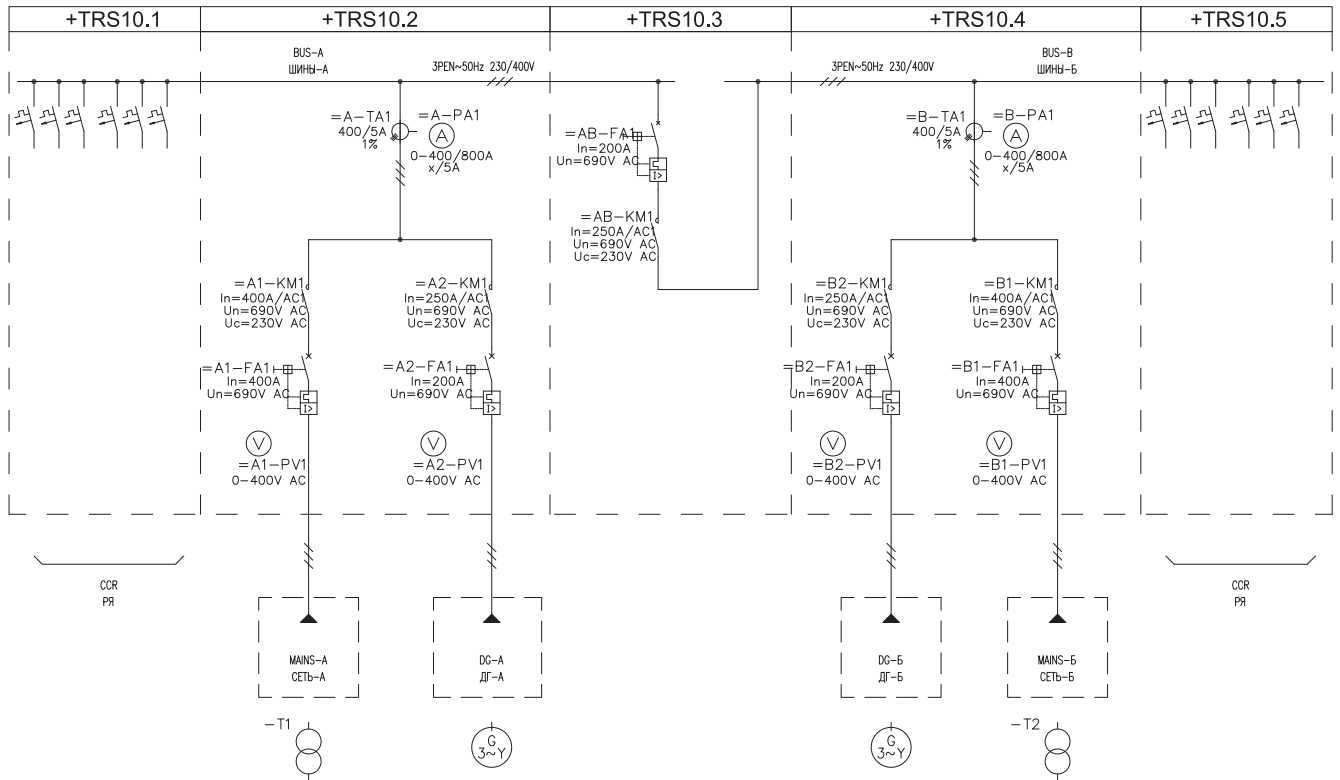
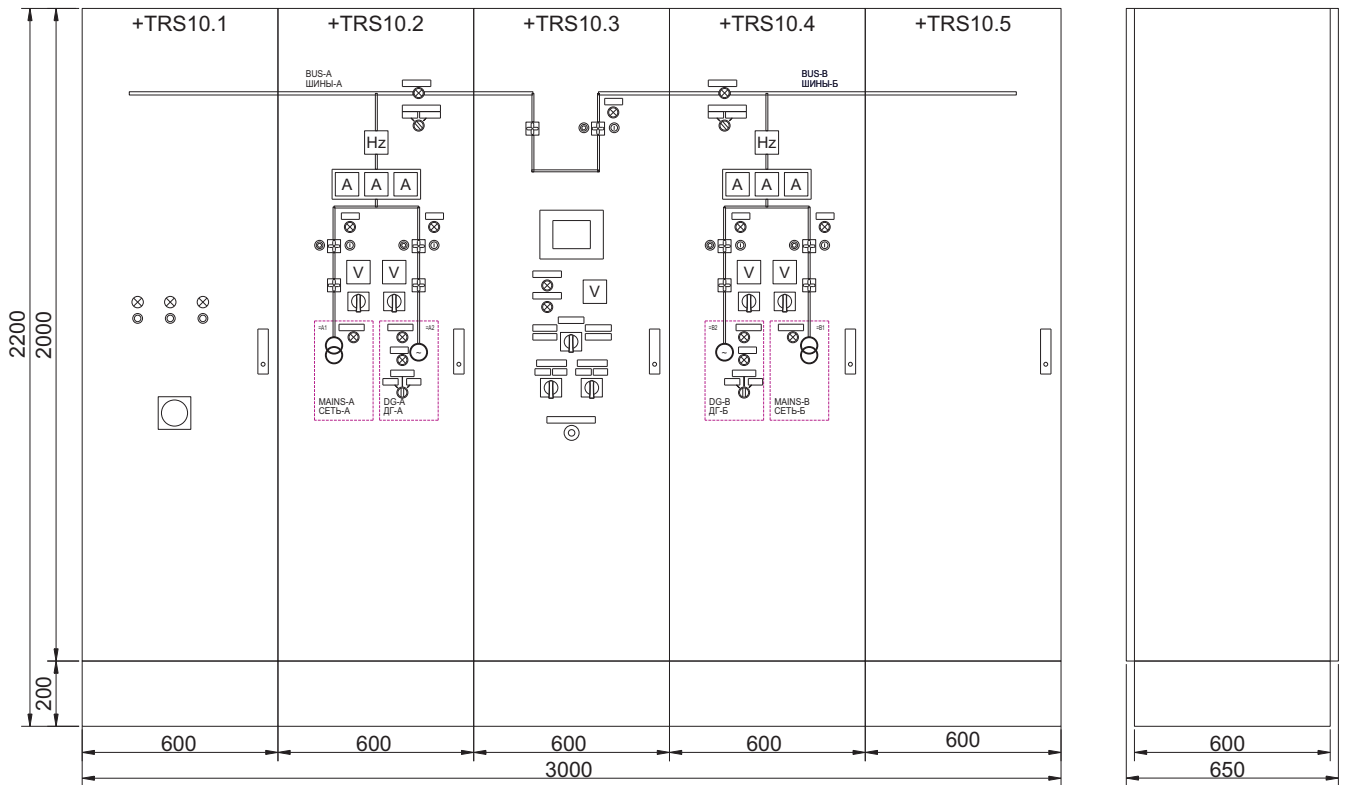
- N Normal execution
 X Customer-tailored execution

Version of distributor

(Manufacturer's internal identification)

It is possible to manufacture upon special request other execution or distributor with higher values of current.

TRS 10.A (CAT I, CAT II, CAT III) 400 A



© 2017 TRANSCON ELECTRONIC SYSTEMS, s.r.o., All rights reserved

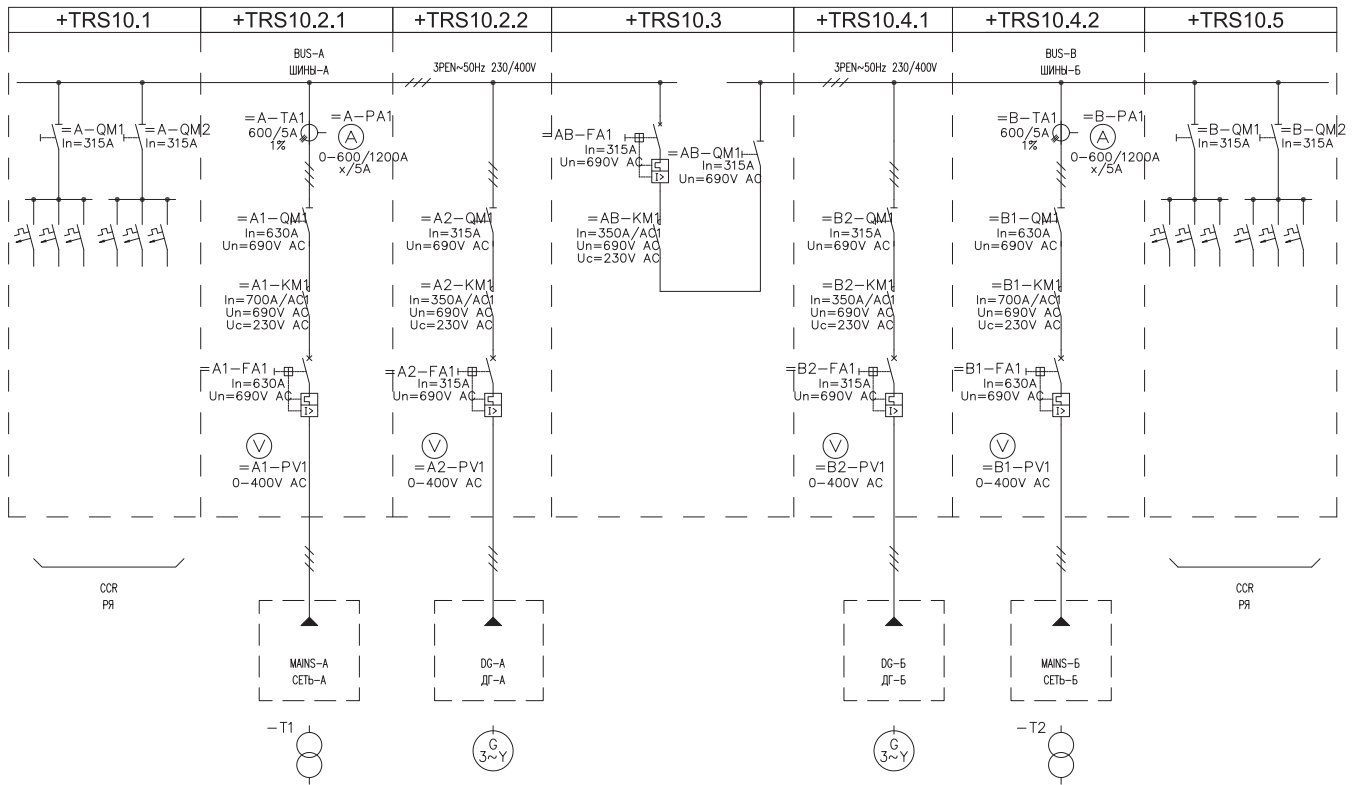
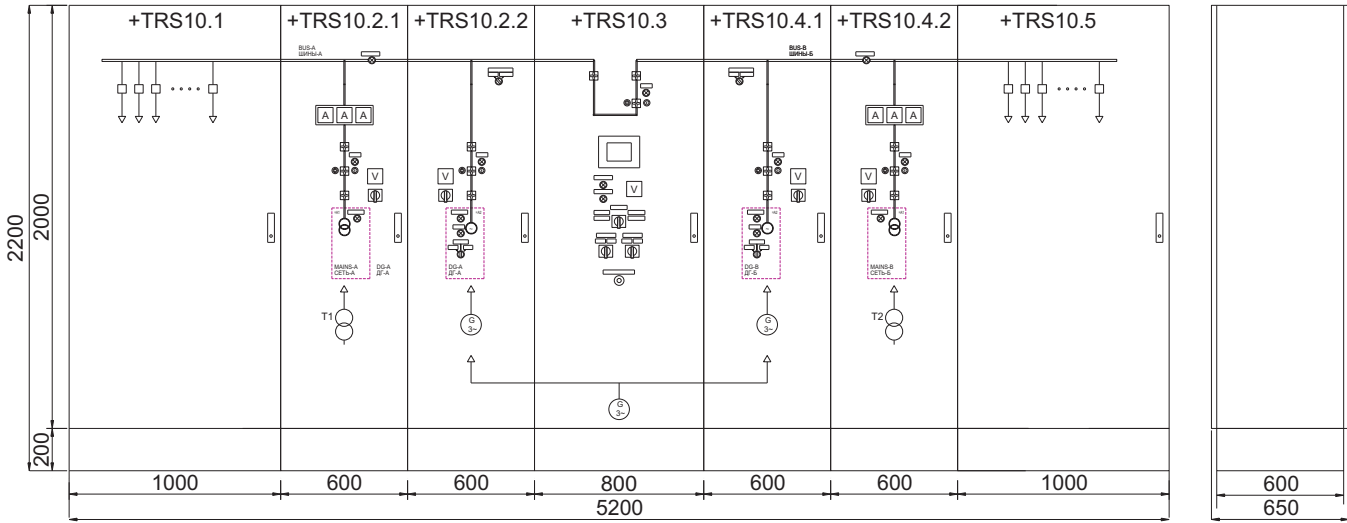
chapter:

4.2

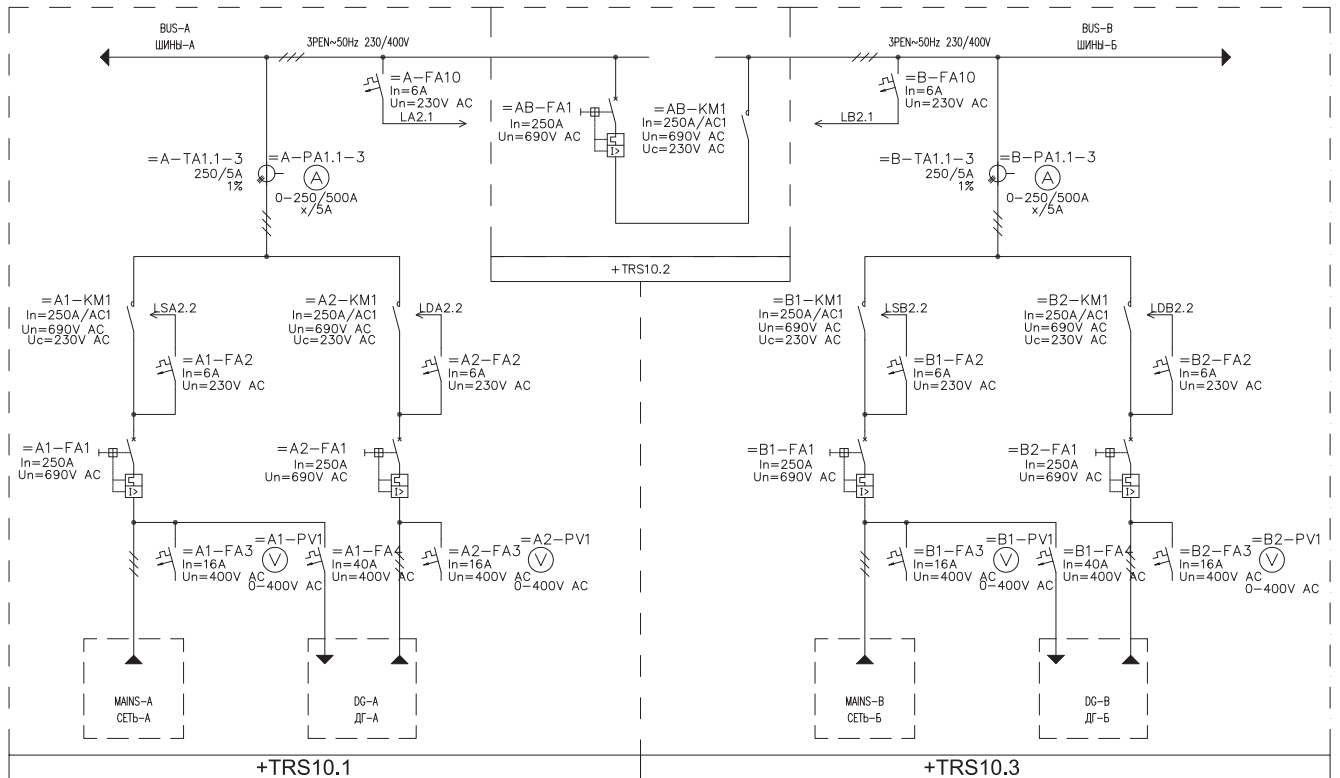
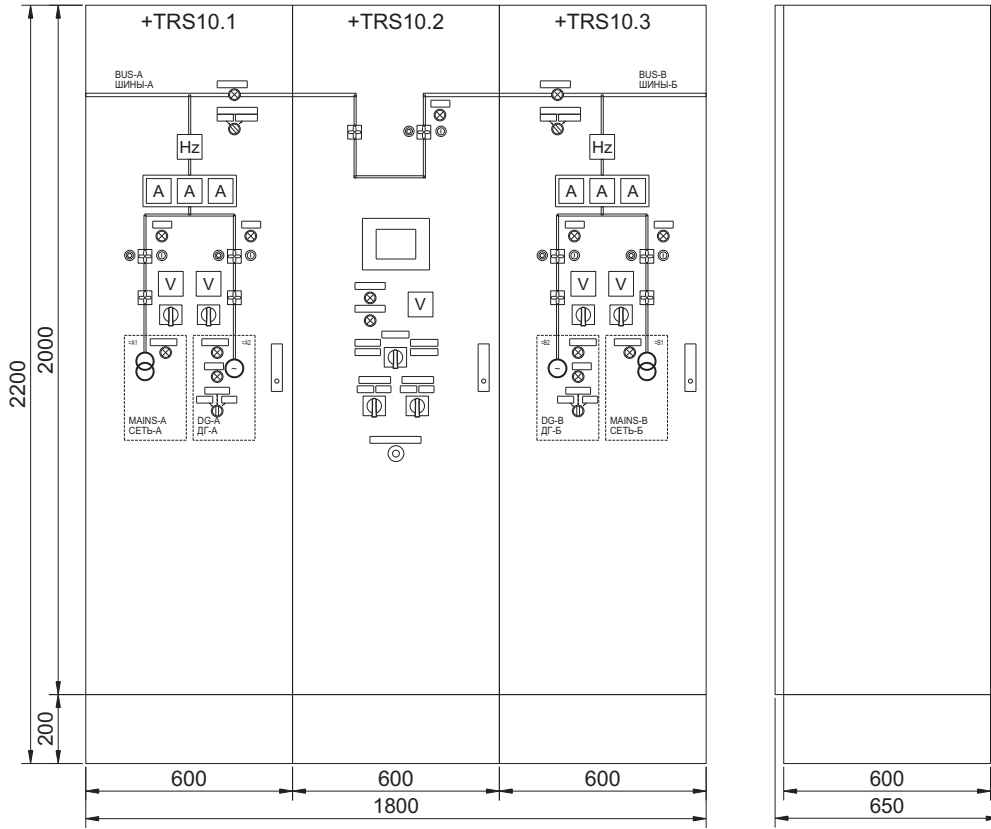
TRS 10



TRS 10.B (CAT I, CAT II, CAT III) 630 A



TRS 10.C (CAT I, CAT II, CAT III) 250 A



© 2017 TRANSCON ELECTRONIC SYSTEMS, s.r.o., All rights reserved

chapter:

4.2

TRS 10



TRS 10.D2 (NO CAT) 160 A

