

TPLMS-08-LED

LED in-pavement intermediate holding position light - Airsafe



COMPLIANCE:

- ICAO Annex. 14 Vol.I
- FAA AC 150/5345-46
- IEC: TS 61827
- EASA: CS-ADR-DSN
- STANAG 3316
- AENA PPT-018_03-12



BOARDING TIME

BOARDING PASS

NAME OF PASSANGER

FROM:

TO:

DATE FLIGHT
 GAES2020

GATE SEAT
23 21B

GOMINTEC

GATE CLOSSES 30 MINUTES BEFORE DEPARTURE

BOARDING PASS

GOMINTEC

Uses

LED in-pavement intermediate holding position light for airports CAT I, II & III, according to ICAO Figures A2-12 & A2-13.

Features

- 8" external diameter, with upper and lower cover manufactured on high strength forged aluminum, and only 6mm of profile over pavement.
- Stainless steel hardware.
- Uni-directional and bi-directional configuration.
- Surface treatment to prevent the wear and increase the corrosion resistance, which makes it especially resistant to dust and water.
- Smooth surface without sharp edges to avoid damages at the aircraft tyres.
- Regulation according to FAA EB67E equivalent to a halogen lamp.
- Integrated surge protection.
- Efficient control of LEDs operating temperature, increasing the light life and avoid color change.
- High features optical design.
- Compatible with existing circuits of visual aids.

Specifications

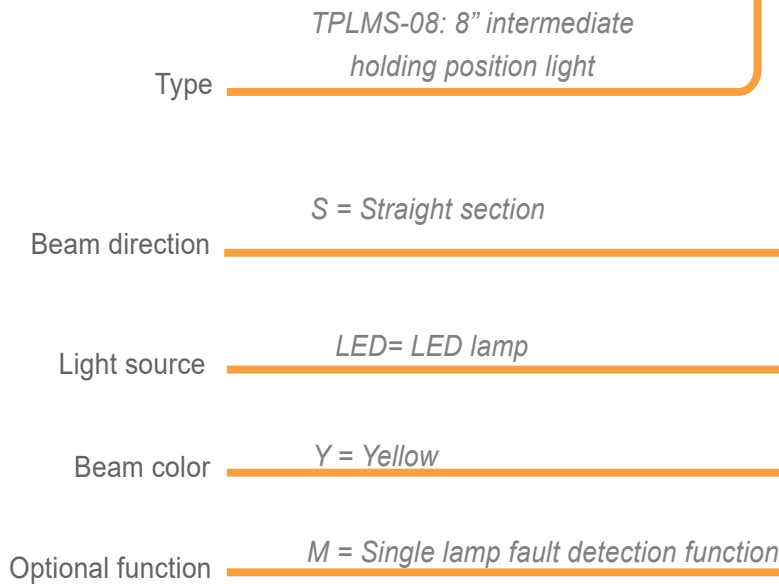
- Power: 2.8A ~ 6.6A, according to FAA EB67D.
- Average life: minimum 60.000h at maximum brightness and 100.000h in a normal operating conditions.
- Color: Yellow
- Consumption: 7VA; FP >0,95
- Index Protection: IP68.
- Installation for 15 W isolation transformer

TPLMS-08-LED

LED in-pavement intermediate holding position light - Airsafe

Order Code

TPLMS-08 - S - LED - Y - X



Installation

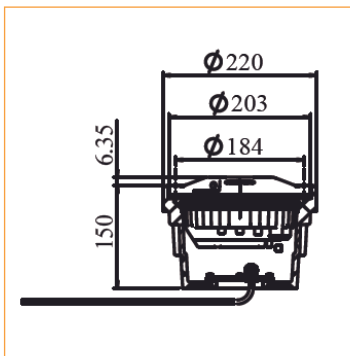


Figure 1
On 8" shallow base

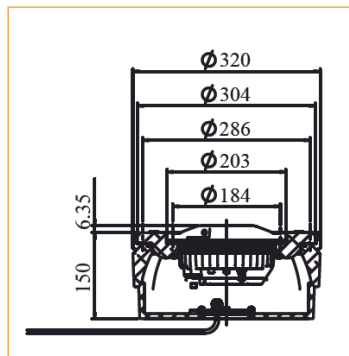


Figure 2
On 12" shallow base with 12 7/8" adapter ring

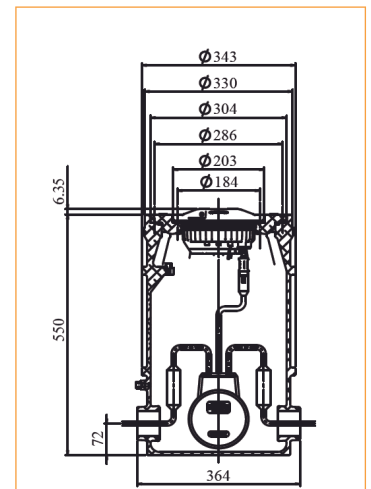
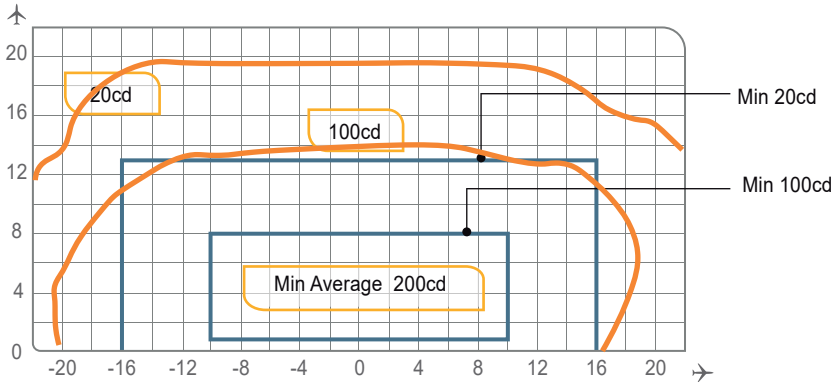


Figure 3
On 12" deep base with 12 7/8" adapter ring

TPLMS-08-LED

LED in-pavement intermediate holding position light - Airsafe

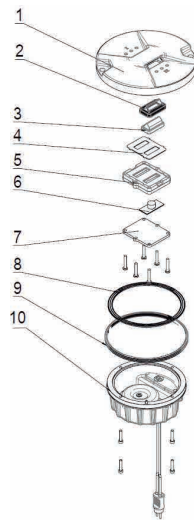
Photometry



TPLMS-08-LED, ICAO Figura A2-12, Yellow

Application	Main beam		Color	Required min. avg. cd.	Actual avg. cd.	
	H	V				
TPLMS-08-LED	ICAO Fig.A2-12	±10°	1° a 8°	Yellow	200	236
	ICAO Fig.A2-13	±3,5°	1° a 8°	Yellow	200	338

Structure



- 1 Upper cover
- 2 Prism gasket sleeve
- 3 Prism
- 4 Prism gasket
- 5 Prism pressing bracket
- 6 LED lamp assy
- 7 Cooling plate
- 8 Light body gasket
- 9 Lighting fixture gasket
- 10 Inner cover assy

TPLMS-08-LED

LED in-pavement intermediate holding position light - Airsafe

Spare Parts

N°	Order No.	Description
2	43111	Prism gasket sleeve
3	31151	Prism
4	43313	Prism gasket
5	4321A	Prism pressing bracket
6	979221-Y	LED lamp assy 1P-0 Yellow
8	41141	Light body gasket
9	41107	Light fixture gasket

Accessories

N°	Order No.	Description
1	SB-08	8" shallow base
2	SB-12	12" shallow base
3	DB-12	12" deep base
4	AR-12/08	12"/8" adaptor ring
5	951101	8" lamp handle
6	ITF-015-066	15W isolation transformer
7	REC7	Secondary cable connector style 7



Weight and Dimensions

	Base	8" shallow base
Packaging size	210x210x130mm ³	240x240x180mm ³
Weight	3,5 kg	6,5 kg