

**TOIL-08-LED** | LED taxiway intersections light - Airsafe



### COMPLIANCE:

- ICAO Annex. 14 Vol.I
- FAA AC 150/5345-46
- IEC: TS 61827
- EASA: CS-ADR-DSN
- STANAG 3316
- AENA PPT-019\_03-12



BOARDING TIME

#### BOARDING PASS

NAME OF PASSENGER: Lorem ipsum dolor sit amet,

FROM: \_\_\_\_\_

TO: \_\_\_\_\_

DATE: \_\_\_\_\_ FLIGHT: GAES2020

GATE: 23 SEAT: 21B

GATE CLOSING 30 MINUTES BEFORE DEPARTURE

GOMINTEC
BOARDING PASS
GOMINTEC

## Uses

LED taxiway intersections light for airports CAT I, II & III, according to FAA L-861E

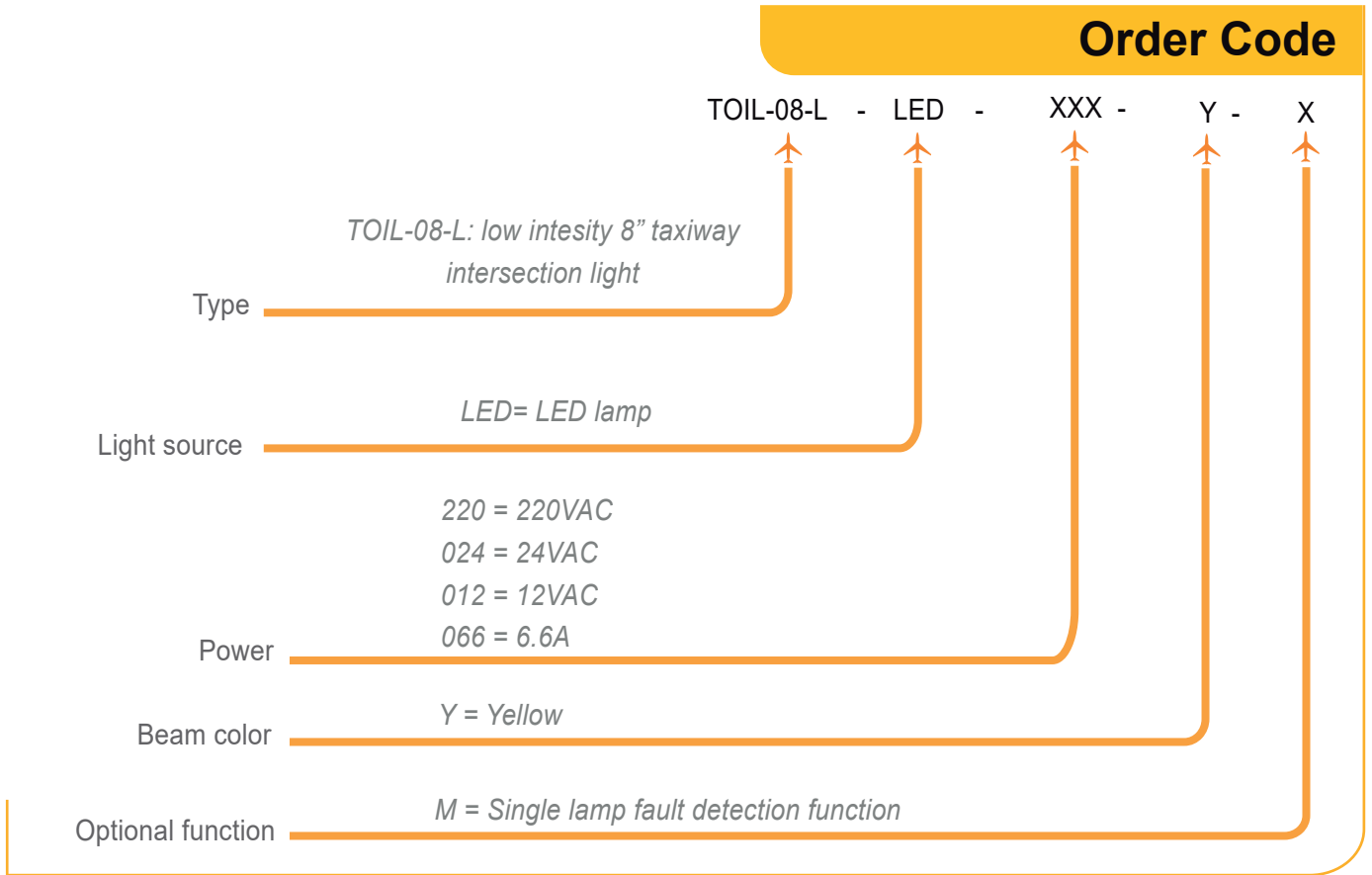
## Features

- 8" external diameter, with upper and lower cover manufactured on high strength forged aluminum, and only 6mm of profile over pavement.
- Stainless steel hardware.
- Uni-directional and bi-directional configuration.
- Surface treatment to prevent the wear and increase the corrosion resistance, which makes it especially resistant to dust and water.
- Smooth surface without sharpened edges to avoid damages at the aircraft tyres.
- Regulation according to FAA EB67E equivalent to a halogen lamp.
- Integrated surge protection.
- Efficient control of LEDs operating temperature, increasing the light life and avoid color change.
- High features optical design.
- Compatible with existing circuits of visual aids.

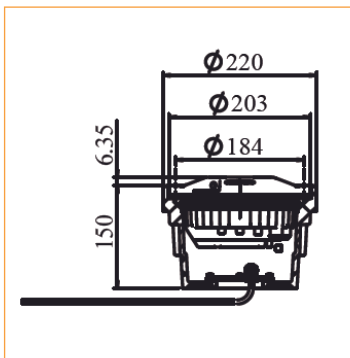
## Specifications

- Power: 2.8A ~ 6.6A, according to FAA EB67D.
- Average life: minimum 60.000h at maximum brightness and 100.000h in a normal operating conditions.
- Color: Yellow
- Consumption: 20VA; FP >0,95
- Index Protection: IP68.
- Installation with 15W isolation transformer

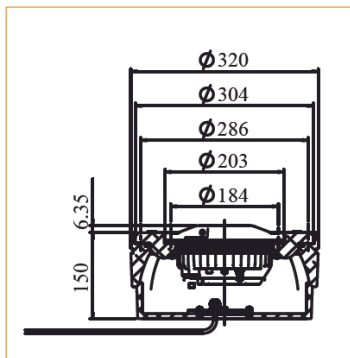
**TOIL-08-LED** | LED taxiway intersections light - Airsafe



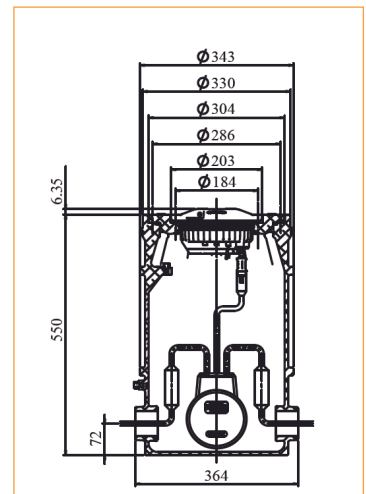
**Installation**



**Figure 1**  
On 8" shallow base



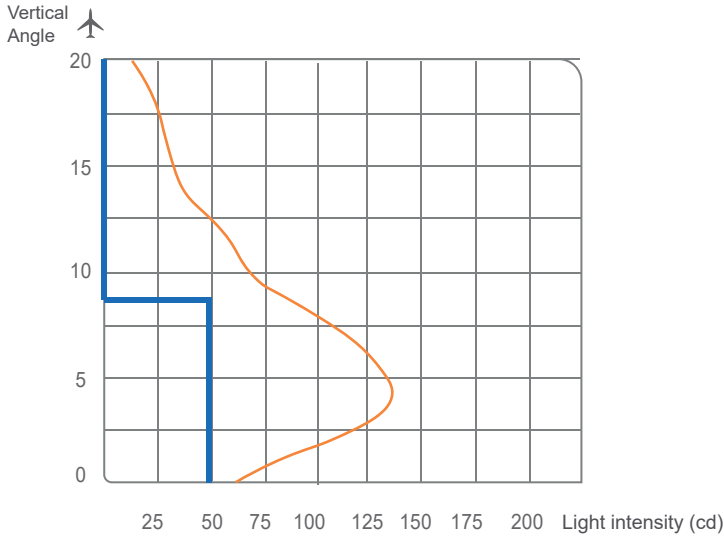
**Figure 2**  
On 12" shallow base with 12 7/8" adapter ring



**Figure 3**  
On 12" deep base with 12 7/8" adapter ring

**TOIL-08-LED** | LED taxiway intersections light - Airsafe

**Photometry**



TOIL-08-L-LED, FAA L-852E, Yellow

Application		Main beam		Color	Required min. avg. cd.	Actual avg. cd.
		H	V			
TOIL-08-L-LED	FAA L-861E	360°	1° a 8°	Yellow	50	61

Structure

- 1 Upper cover
- 2 Lighting fixture gasket
- 3 Prism
- 4 Prism gasket sleeve
- 5 Prism gasket
- 6 LED lamp assy
- 7 Prism pressing bracket
- 8 Light body gasket
- 9 Inner cover assy

## TOIL-08-LED | LED taxiway intersections light - Airsafe

### Spare Parts

N°	Order No.	Description
2	41107	Light fixture gasket
3	31113	Prism
4	43115	Prism gasket sleeve
5	43313	Prism gasket
6	979263-Y	LED lamp assy
7	43217	Prism pressing bracket
8	41141	Light body gasket

### Accessories

N°	Order No.	Description
1	SB-08	8" shallow base
2	SB-12	12" shallow base
3	DB-12	12" deep base
4	AR-12/08	12"/8" adapter ring
5	951101	8" lamp handle
6	ITF-015-066	15W isolation transformer
7	REC7	Secondary cable connector style 7



### Weight and Dimensions

	Base	8" shallow base
<b>Packaging size</b>	210x210x130mm <sup>3</sup>	240x240x180mm <sup>3</sup>
<b>Weight</b>	3,5 kg	6,5 kg