

## EUL-RG | Elevated runway guard light - Airsafe



### COMPLIANCE:

- ICAO Annex.14, Vol I.
- FAA AC 150/5345-46
- UNE IEC-TS 61827
- EASA CS-ADR-DSN.
- STANAG 3316



BOARDING TIME

#### BOARDING PASS

NAME OF PASSANGER	
FROM:	
TO:	
DATE	FLIGHT GAES2020
GATE 23	SEAT 21B

GATE CLOSES 30 MINUTES BEFORE DEPARTURE

GAES 454843121451100

GOMINTEC
BOARDING PASS
GOMINTEC

### Uses

Elevated runway guard light for airports CAT I, II & III, according to ICAO Fig A2-25.

### Features

- Compact and lightweight structure with reduced wind exposed surface.
- Exclusive optical design based on glass diffuser with inner refractive prisms to avoid dirt deposit.
- Reduced height to minimize the jet blast impact.
- Robust body built on high strength aluminum alloy, anti-corrosion treatment and excellent thermal dissipation.
- Stainless steel hardware to grant the waterproof and corrosion resistance.
- Glass diffuser fixed to the main body through retaining ring and waterproof gland without additional sealants.
- International standard PK30D prefocus bulb.
- No adjustments required after lamp or another optical component replacement.
- No tools required to access to the lamp housing, to provide an easy maintenance.
- Interchangeable components, usable in all types of elevated uni-directional lights.
- Alternately lights of 45-50 flashes per minute.
- Visor anti-glare.

### Specifications

- Power: 2.8A ~ 6.6A.
- Prefocused halogen lamp: 2x100W / 6.6A Pk30d.
- Lamp average life: More than 1.500h at maximum brightness and more than 3.000h in a normal operation conditions.
- Color: Yellow
- Index Protection: IP65

**EUL-RG** | Elevated runway guard light - Airsafe

**Order Code**

EUL-RG - X - XXX - Y

Type

*EUL-RG = Elevated runway guard light*

Light intensity

*H = High intensity  
 L = Low Intensity*

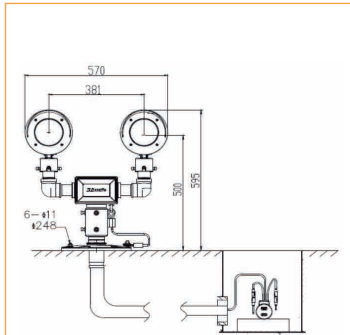
Power

*200 = 2 x 100W*

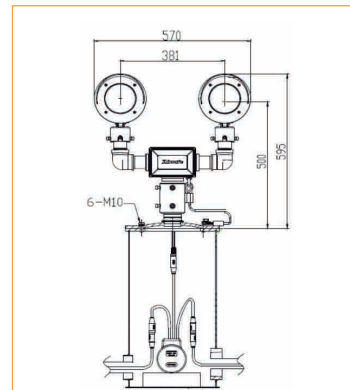
Beam color

*Y = Yellow (Amarillo)*

**Installation**



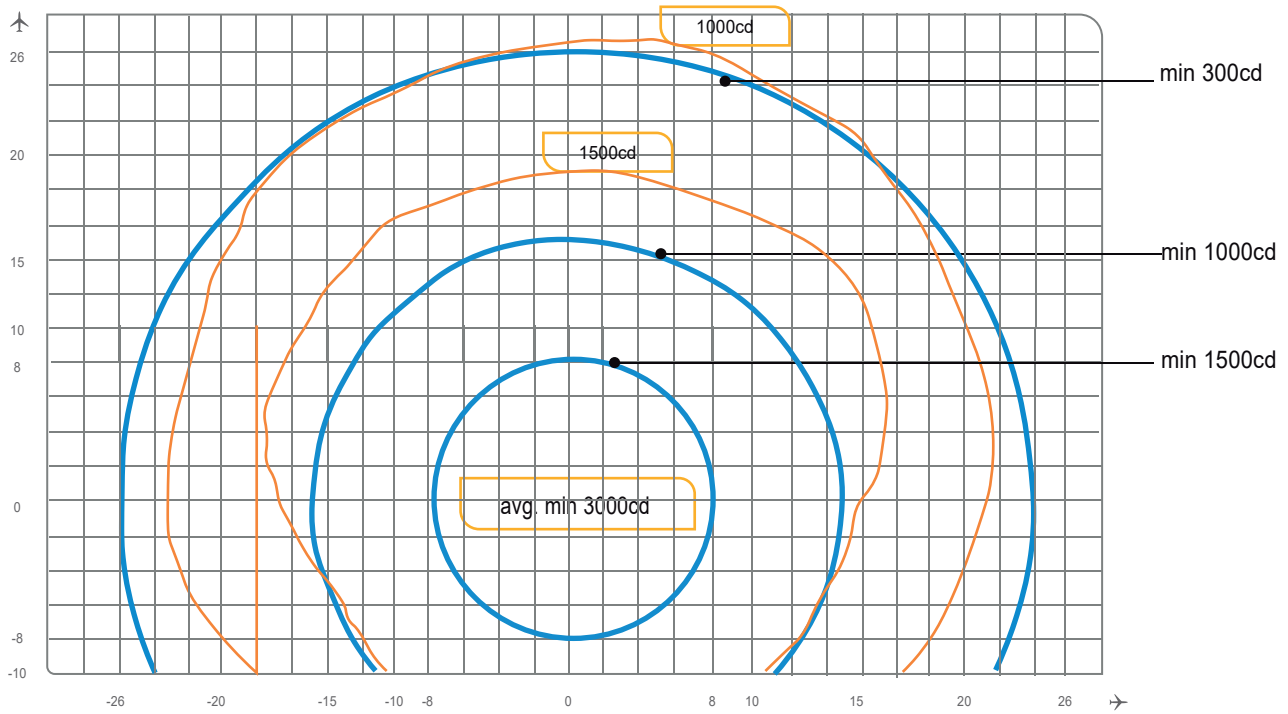
**Figure 1**  
 On 12" deep base



**Figure 2**  
 On ground with base plate

**EUL-RG** | Elevated runway guard light - Airsafe

**Photometry**



EUL - RG, ICAO Fig A2-25, Yellow

Application		Main Beam		Color	Required min. avg. cd.	Actual avg. cd.
		H	V			
EUL-RG	ICAO Fig. A2-25	± 8°	± 8°	Yellow	3.000	4.871

**EUL-RG | Elevated runway guard light - Airsafe**

**Structure**

- 1 Light head assy
- 2 Control panel
- 3 Cover plate
- 4 Holder
- 5 Chain
- 6 Frangible stem
- 7 Flange
- 8 Front cover
- 9 Front glass
- 10 Seal gasket
- 11 Optical filter
- 12 Reflector
- 13 Head assy
- 14 Lamp holder
- 15 Lamp
- 16 Seal gasket
- 17 Rear cover
- 18 Washer
- 19 Hinge pin
- 20 Adjusting screw
- 21 Washer
- 22 Hinge pin
- 23 Adjusting screw
- 24 Lock screw
- 25 Lamp body pallet
- 26 Set screw
- 27 Lamp socket
- 28 Water joint
- 29 Plug
- 30 Visor

**Spare Parts**

N°	Order No.	Description
1	EUL-RG-Y-01	Light head assy
2	45544	Control board
6	924251	Frangible assy of guard light
7	FL-10	Flange
9	31108	Optical cover
10	41110	Optical cover gasket
11	31317-Y	Filter
12	31109	Reflector
14	945518	Lamp holder
15	L64341	Lamp 100W 6.6A
16	41111	Lamp body gasket
27	41221	Lamp socket
28	48401	Waterproof gland
29	HT70603	Secondary cable connector style A6
	945519	Hinge

## EUL-RG | Elevated runway guard light - Airsafe

### Accessories

N°	Order No.	Description
1	FL-10	Flange 10"
2	FL-12-X-G2	Flange 12"
3	924251	Frangible coupling (2")
4	ITF-200-066	200W isolation transformer
5	REC 7	Secondary cable connector style 7
6	954211	Corrector
7	TJB-12	Isolation transformer box

### Weight and Dimensions

- |                         |                                 |
|-------------------------|---------------------------------|
| • <i>Packaging size</i> | 220 × 220 × 265 mm <sup>3</sup> |
| • <i>Weight</i>         | 2,33 kg                         |