






Unserviceability Runway Light



<p>Compliance to standards</p>	<p>ICAO: Annex 14, Volume I - Aerodrome Design and Operations, Paragraph 7.4.4</p> <p>Romanian CAA (Romanian Civil Aeronautical Authority): No. 12408 from 30.05.2008</p>								
<p>Application</p>	<p>An unserviceability light shall consist of a red fixed light. The light has an intensity sufficient to ensure conspicuity considering the intensity of the adjacent lights and the general level of illumination against which it would normally be viewed. The intensity is more than 10 cd of red light.</p>								
<p>Features</p>	<p>The light unit is lightweight, durable, waterproof and has been developed for fast deployment by non-skilled operators and will operate in the worst environmental conditions.</p> <p>All the units are equipped with high power LEDs, matched by dedicated optics to drastically increase photometric performances, save on power consumption and reduce life cycle costs.</p> <p>Autonomy up to 12 nights.</p>								
<p>Product Code</p>	<p>AL - 125 - 01 - RE</p> <table data-bbox="571 1361 1268 1496"> <tr> <td>Series Indicator (Airfield Lighting)</td> <td>AL</td> </tr> <tr> <td>Product Indicator</td> <td>125</td> </tr> <tr> <td>LEDs Number</td> <td>01</td> </tr> <tr> <td>LEDs Light Colour (RED)</td> <td>RE</td> </tr> </table>	Series Indicator (Airfield Lighting)	AL	Product Indicator	125	LEDs Number	01	LEDs Light Colour (RED)	RE
Series Indicator (Airfield Lighting)	AL								
Product Indicator	125								
LEDs Number	01								
LEDs Light Colour (RED)	RE								

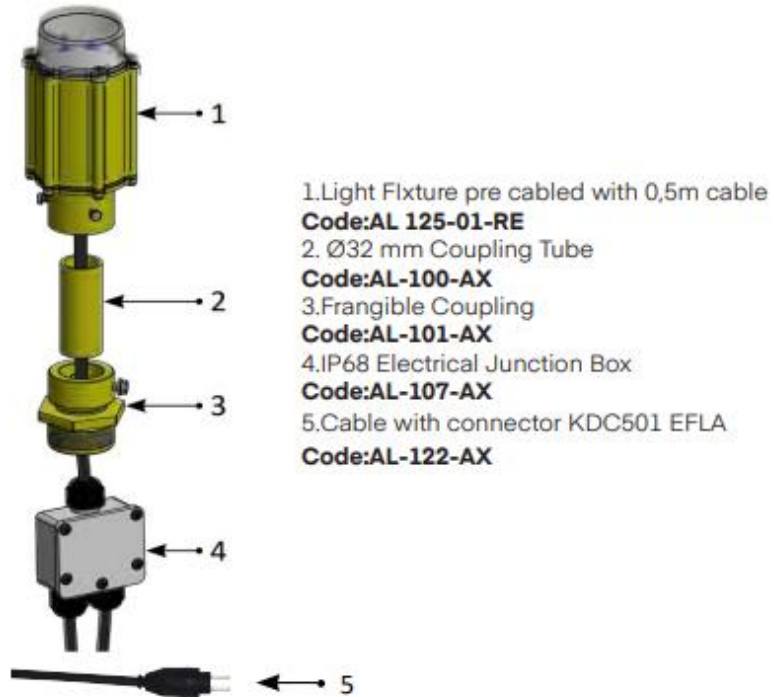
<p>Description</p>	<p>Housing - Powder coated aluminium RAL 1004 (aviation yellow) </p> <p>Dispenser - clear polycarbonate</p> <p>Cable gland - nickel plated brass</p> <p>Fasteners - stainless steel</p> <p>Light fixtures are provided with anti condensation valve.</p>	
<p>Environment</p>	<p>Temperature range:</p> <p>Degree of protection:</p> <p>Ka tested:</p>	<p>- 20° to +55°</p> <p>IP 65</p> <p>Salt mist</p>
<p>Mounting</p>	<p>Mounted on Φ260mm Base with Frangible Coupling</p> 	<p>Vertical flat surface</p> 
	<p>Mounted on Pyramid</p> 	<p>Φ30 mm up to Φ70 mm pipe</p> 

Electrical Characteristics

Power consumption: 1W

Power supply: 90-230V, 50/60HZ - non dimmable
1.4A DC - dimmable: 100%, 30%, 10%
12 V DC - Individual battery - 12Ah
12 V DC - group battery

Electrical Connections



Types of power supply:

230V AC directly from mains power supply

Live (brown)

Neutral (blue)

Ground (green/yellow)

1.4A DC power supply from controller with 2 core cable

V+ (red mark)

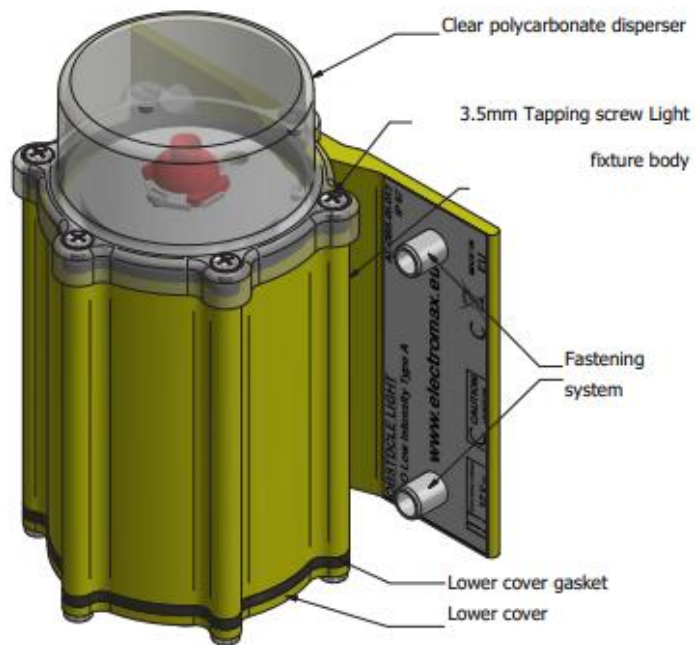
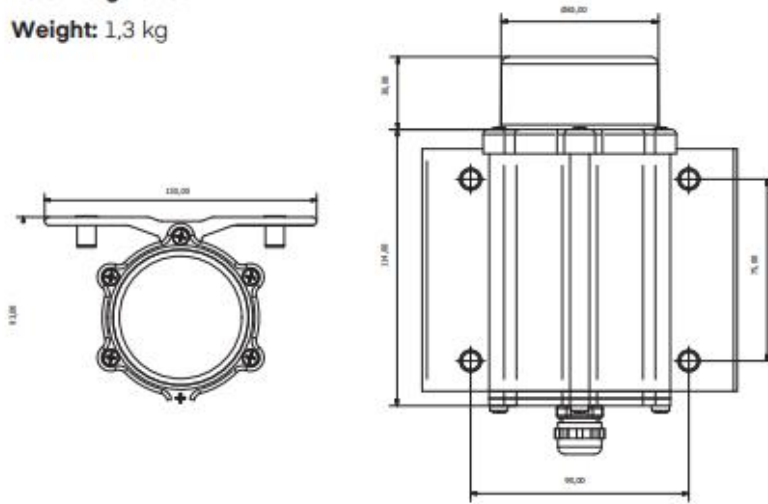
V- (blue mark)

Mechanical Characteristics

Length - Width: 130 mm / 93mm

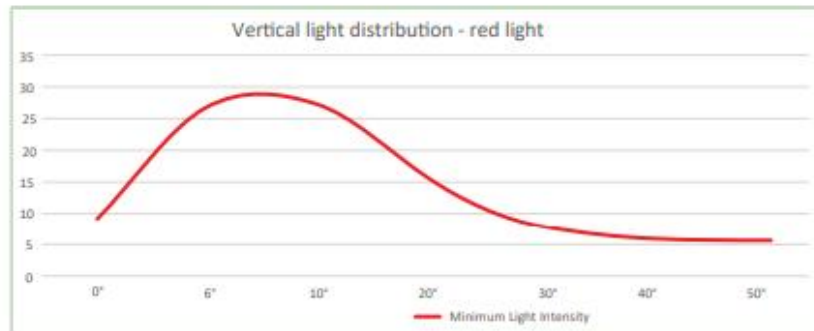
Total height: 160 mm

Weight: 1,3 kg

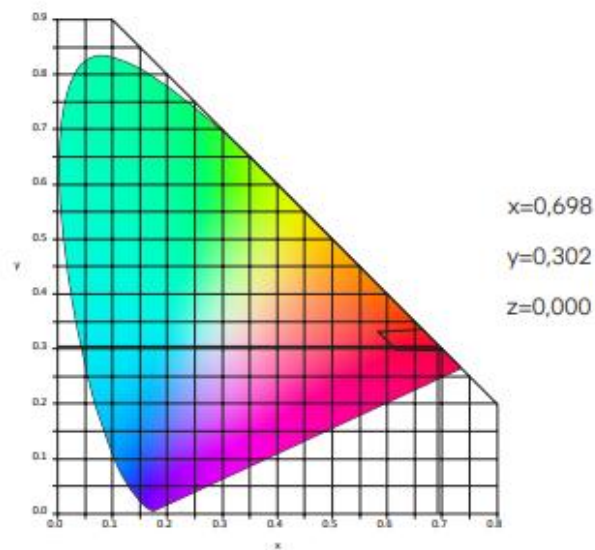


Photometric Characteristics

Vertical elevation angle	0°	6°	10°	20°	30°	40°	50°
Measured minimum intensity [cd]	9.14	26.8	27.3	15.9	3.76	3.00	4.65



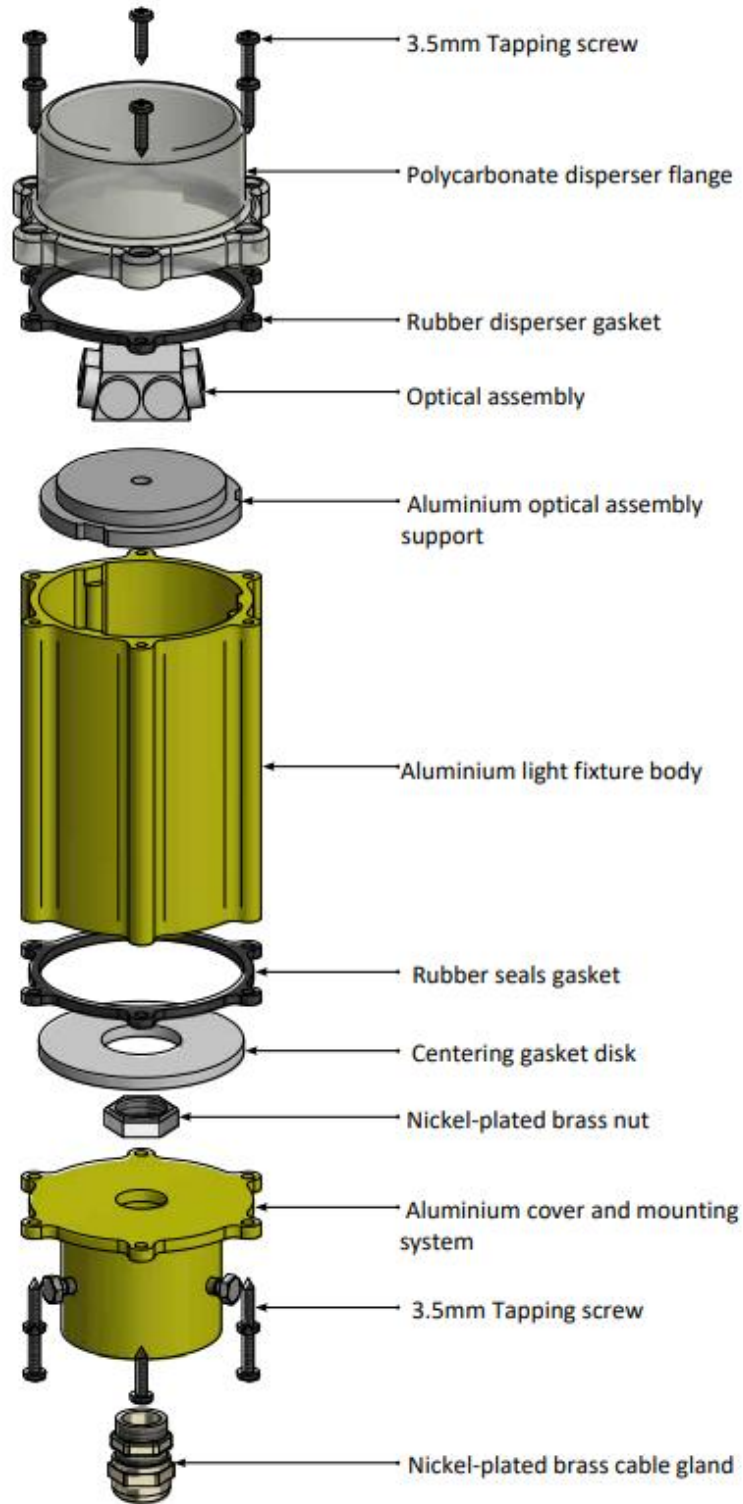
The light colour emitted by the light fixture is red, with the trichromatic coordinates:



The measured trichromatic coordinates correspond to colour range requirements in:

ICAO Annex 14 - Aerodromes Vol.1, ig, A1-1b. Colours for aeronautical ground lights (solid state lighting)

**Spare
Parts**



Accessory

To order accessories please call our customer support.
For contact details please refer to our website - www.signalight.com

#	NAME - SERIES	PRODUCT CODE	IMAGE
1	Φ32 mm Coupling Tube	AL-100-AX	
2	Frangible Coupling	AL-101-AX	
3	Φ260mm Base Plate	AL-102-AX	
4	Mounting Flange	AL-103-AX	
5	ElectroMax Standard Φ160mm Shallow Base	AL-104-AX	
6	Adapter Ring for 8" Shallow Base	AL-105-AX	
7	Φ160mm Surface Mounted Base	AL-106-AX	
8	IP68 Electrical Junction Box	AL-107-AX	
9	Φ160mm Shallow Base Installation Jig	AL-108-AX	
10	Cable with connector KDC501 EFLA	AL-122-AX	