

➔Application

- halogen 6,6 A elevated bidirectional light high intensity suitable for CAT I-III ICAO
  - runway edge light
- halogen 6,6 A omni/bi-directional elevated light medium intensity suitable for NO CAT
  - approach centre line and crossbars light
  - runway threshold and runway end light
  - runway edge light
  - taxiway edge light

➔Certificate basis

- ICAO Annex 14
- FAA AC150/5345-46
- IEC IEC 61827
- АП-170, Tom II

➔Description/properties

- sturdy and tight aluminium housing (IP 67)
- small dimensions and low weight
- optimized heat dissipation and sealing increases lamp lifetime considerably
- no optical adjustments after maintenance
- little maintenance and simple cleaning
- quick-release locking device with hinge

➔Construction

- 1 dioptré with sealed annular ring
- 2 screw M4×8
- 3 flat spring
- 4 bulb
- 5 seal
- 6 aluminium cover
- 7 stainless steel clips
- 8 cable with connector

➔Ordering code

TL 322.X.X.X.X

- intensity \_\_\_\_\_
  - L - low
  - H - high
- application \_\_\_\_\_
  - A - approach
  - R - runway
  - T - taxiway
- el. power \_\_\_\_\_
  - 45 - 45 W
  - 65 - 65 W
  - 150 - 150W
- color / combinations \_\_\_\_\_
  - W white, Y yellow, R red,
  - G green, B blue, N shade



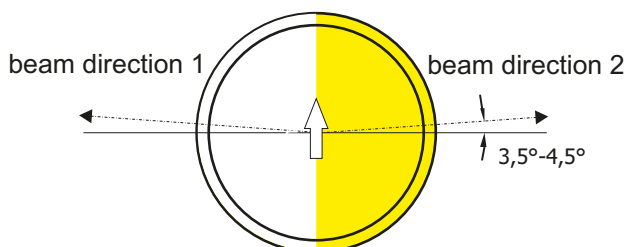
TL 322-H-R-150-WY

TL 322-L-T-45-B



TL 322-H-R

orientation rays toward the center runway



chapter:

## 5.1.4

## TL 322



### → Mounting/connection/supplying

- mounting on fixing elements Ø 60 mm:
  - pedestal PED-01.26
  - breakable coupling 001 057.1
  - breakable coupling 001 057 with tube 001 400
  - breakable coupling 001 057 with tube 001 400 and pedestal PED-01.66
  - crossbar with peg 60 mm
- power-ups by isolating transformer with 6,6 A on secondary output (transformer power according to used lamp/lamps)
- including halogen lamp and connecting cable (213/350/450 mm) with connector L-823 Type II, Class B, Style 5

### → Operating conditions

- level of protection IP 67
- climatic conditions ±55 °C
- resistance to wind and exhaust gases 480 km/h

### → Source of light

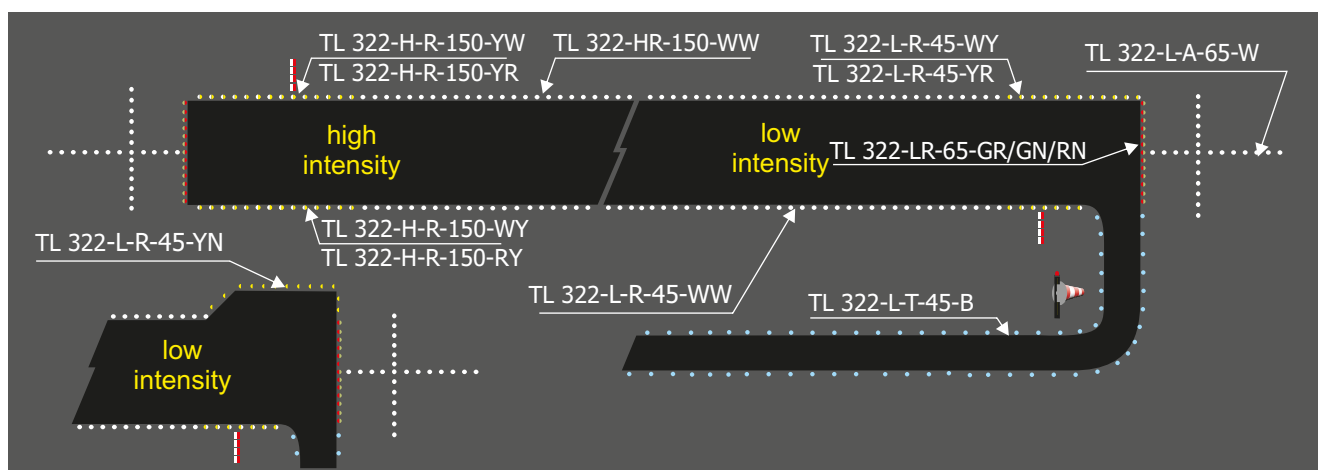
- halogen airport bulb  
45/65/150 W/6,6 A with cap Pk 30d

### → Accessories

- accessories must be ordered separately (see also section "mounting system")

### → Mechanical parameters

- weight (cardboard box) ~2,2 kg
- dimensions (cardboard box) 155×145×190 mm



### High intensity - ordering codes / application (toe-in 3,5°/4,5° towards RWY centre line)

type	el. power [W]	color	application	code
TL 322-H-R-150-WW	150	white/white	runway edge light	315-854
TL 322-H-R-150-WY	150	white/yellow	runway edge light - remote 1/3 (600 m) RWY	315-850
TL 322-H-R-150-YW	150	yellow/white	runway edge light - remote 1/3 (600 m) RWY	315-851
TL 322-H-R-150-YR	150	yellow/red	runway edge light - remote 1/3 (600 m) RWY + displaced threshold	315-852
TL 322-H-R-150-RY	150	red/yellow	runway edge light - remote 1/3 (600 m) RWY + displaced threshold	315-853

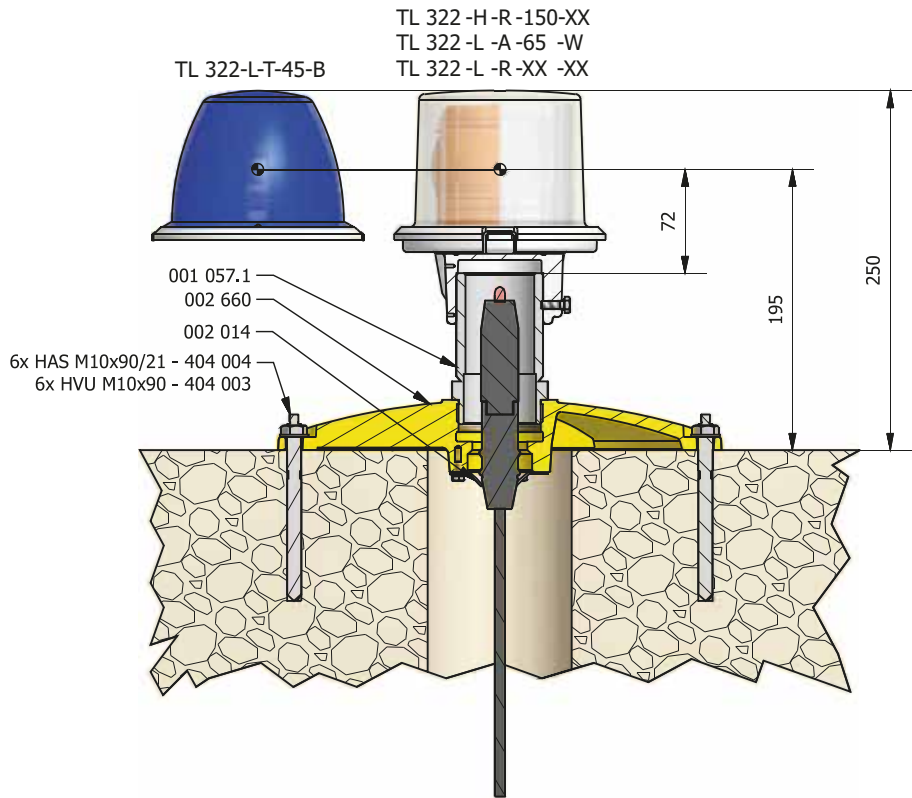
### Low intensity - ordering codes / application (without toe-in)

type	el. power [W]	color	application	code
TL 322-L-A-65-W	65	white	approach centre line and crossbars light	315-864
TL 322-L-R-65-GR	65	green/red	runway threshold and runway end light	315-841X
TL 322-L-R-65-GN	65	green/shade	runway threshold light	315-843X
TL 322-L-R-65-RN	65	red/shade	runway end light	315-842X
TL 322-L-R-45-RN	45	red/shade	stopway light	315-848X
TL 322-L-R-45-WW	45	white/white	runway edge light	315-857X
TL 322-L-R-45-WY	45	white/yellow	runway edge light - remote 1/3 (600 m) RWY	315-855X
TL 322-L-R-45-WN	45	white/shade	"touchdown point marking light" *	315-859X
TL 322-L-R-45-YR	45	yellow/red	runway edge light - remote 1/3 (600 m) RWY + displaced threshold	315-852X
TL 322-L-R-45-YN	45	yellow/shade	"runway turn pad edge light" *	315-858X
TL 322-L-T-45-B	45	blue	taxiway edge light	315-865

\* according to the Russian Federation standards

### assembly on base plate

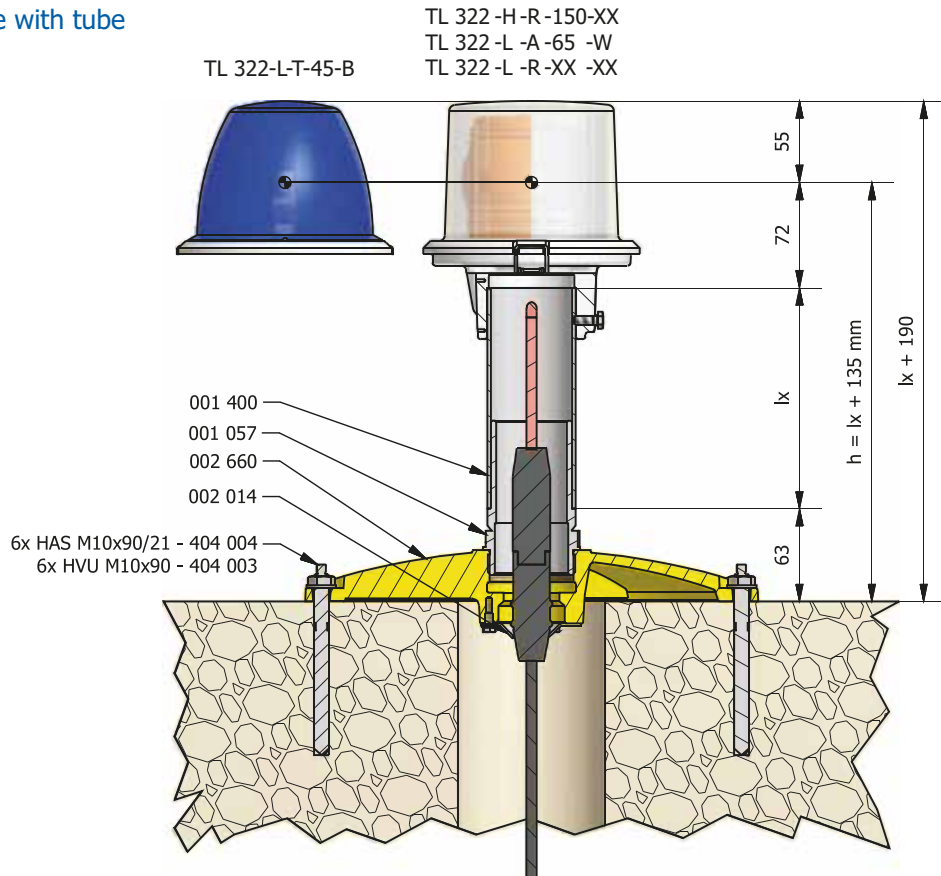
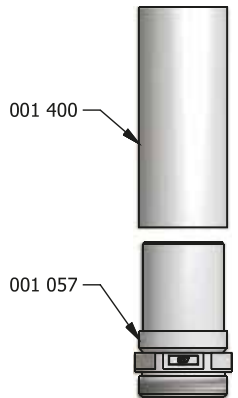
☉ optical spot



### assembly on base plate with tube

☉ optical spot

h optical height  
 $h = lx + 135$   
 $(195 \leq h \leq 1999)$   
 lx tube length 001 400  
 $lx = h - 135$  mm  
 $(60 \leq lx \leq 1864)$



chapter:

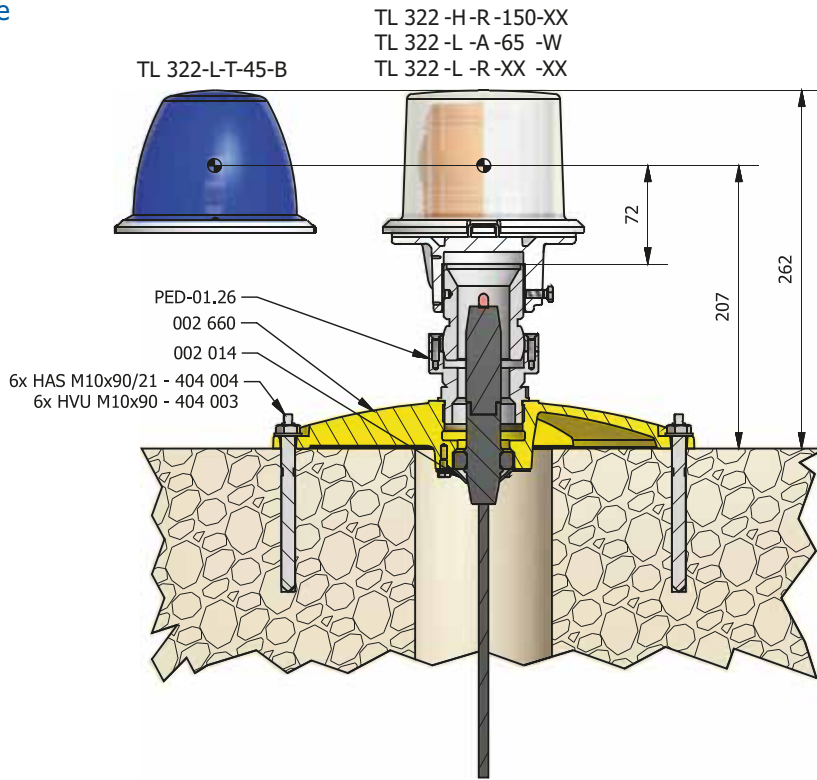
# 5.1.4

# TL 322



assembly on base plate  
+ pedestal

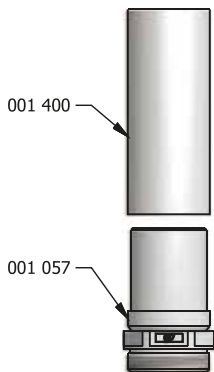
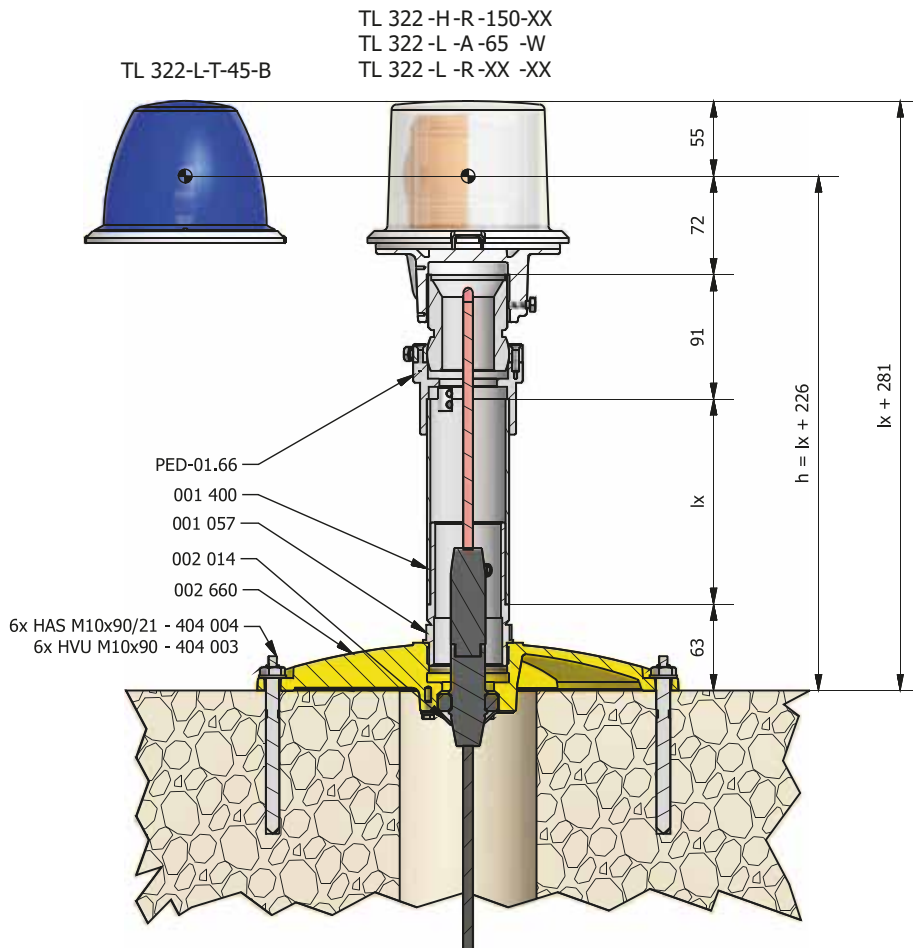
⊕ optical spot



assembly on base plate  
with tube + pedestal

⊕ optical spot

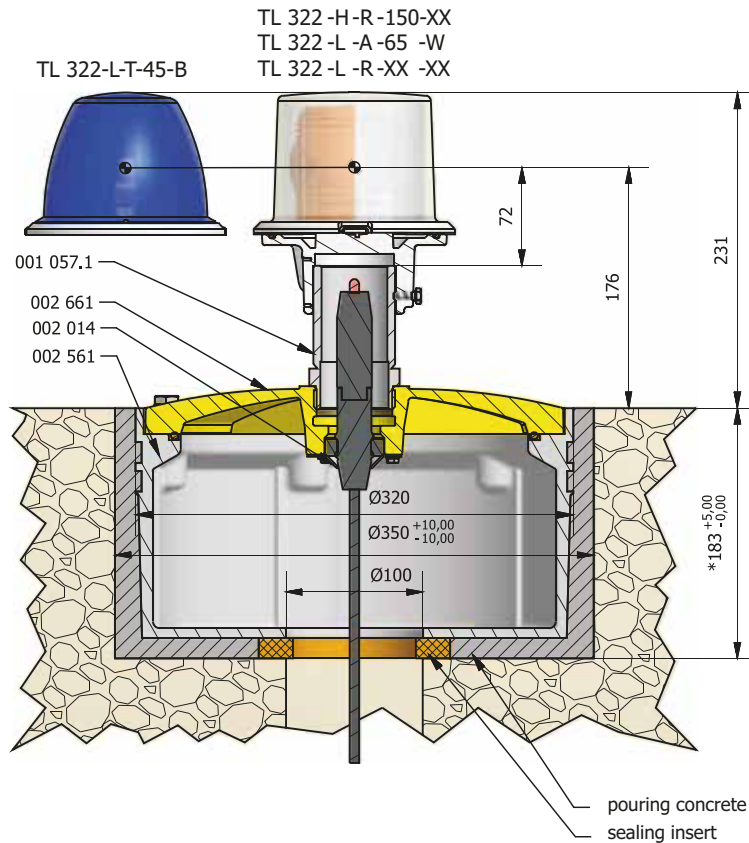
h optical height  
 $h = lx + 226$   
 $(286 \leq h \leq 1999)$   
 lx tube length 001 400  
 $lx = h - 226 \text{ mm}$   
 $(60 \leq lx \leq 1773)$



# TL 322

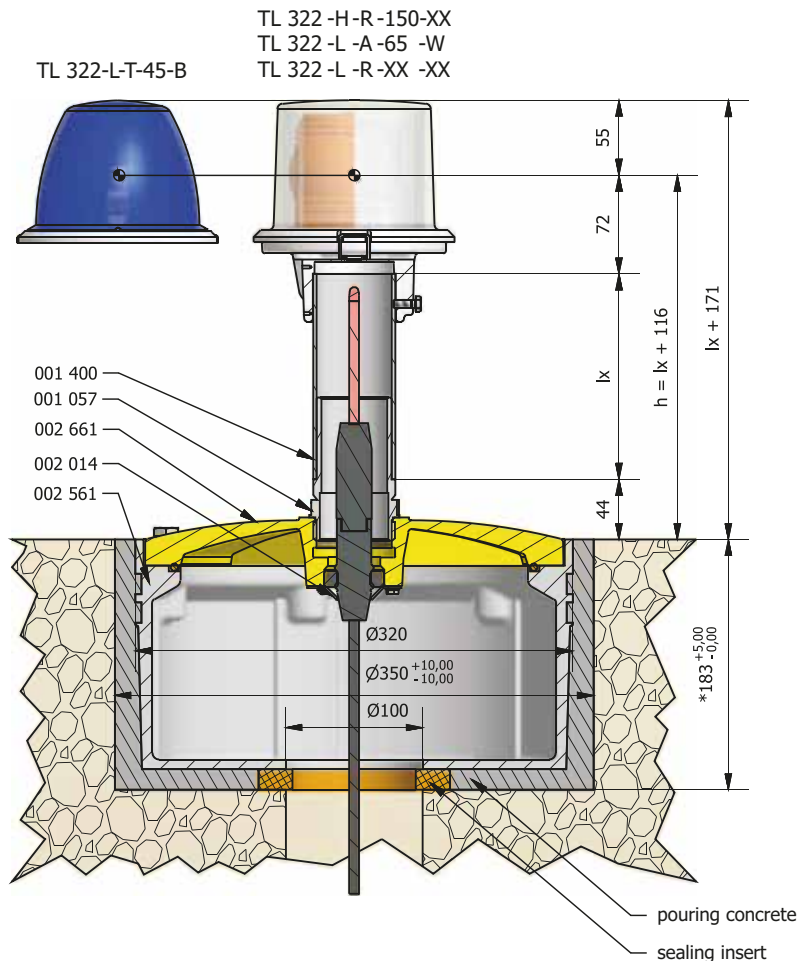
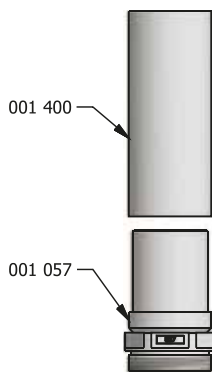
## assembly on shallow bases bottom outlet

- ⊕ optical spot
- \* recommended size



## assembly on shallow bases bottom outlet with tube

- ⊕ optical spot
  - \* recommended size
- h optical height  
 $h = lx + 116$   
( $176 \leq h \leq 1999$ )
- lx tube length 001 400  
 $lx = h - 116$  mm  
( $60 \leq lx \leq 1883$ )



chapter:

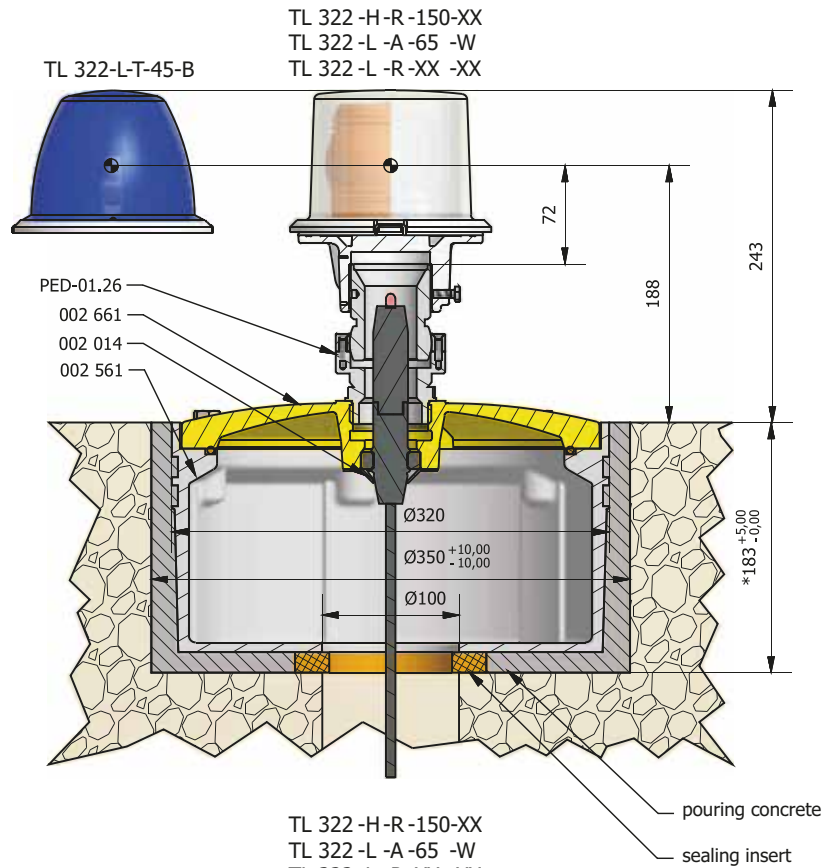
# 5.1.4

# TL 322



assembly on shallow bases  
bottom outlet + pedestal

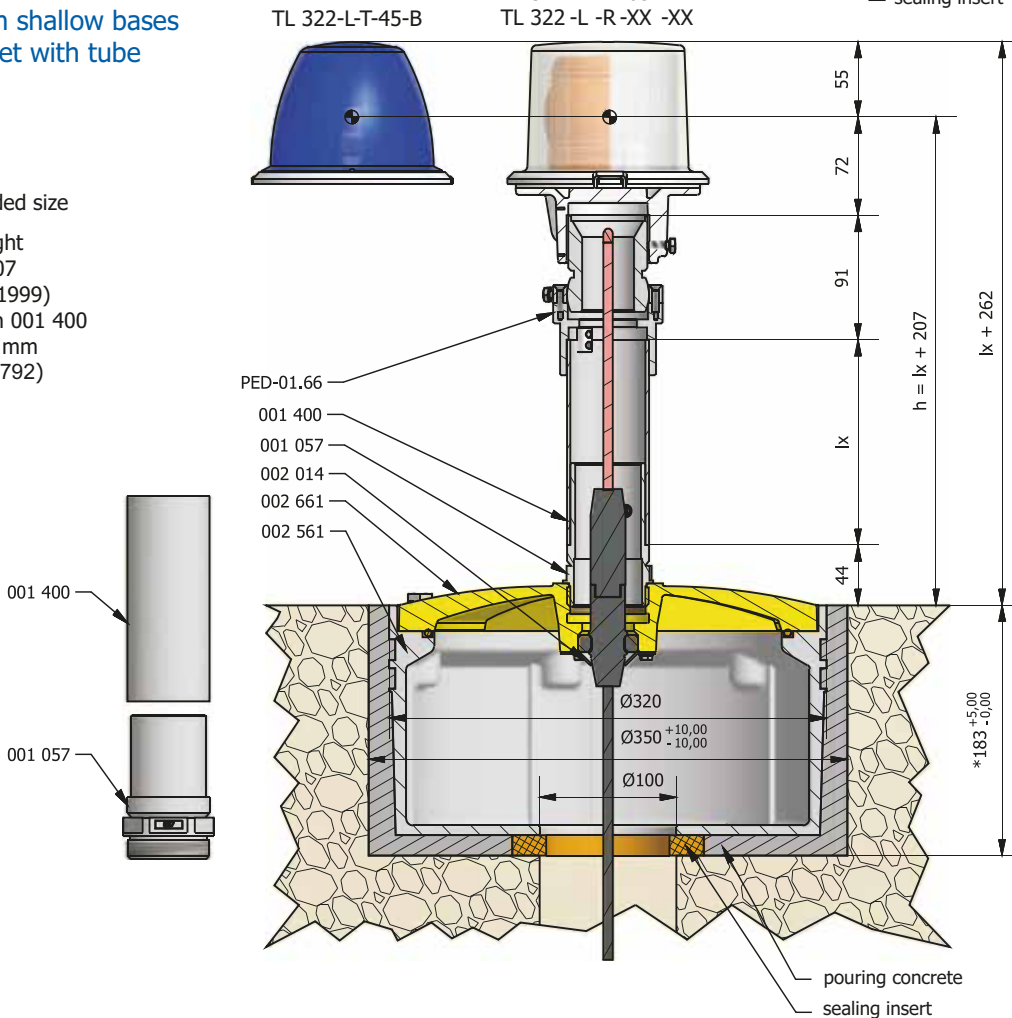
- ☉ optical spot
- \* recommended size



assembly on shallow bases  
bottom outlet with tube  
+ pedestal

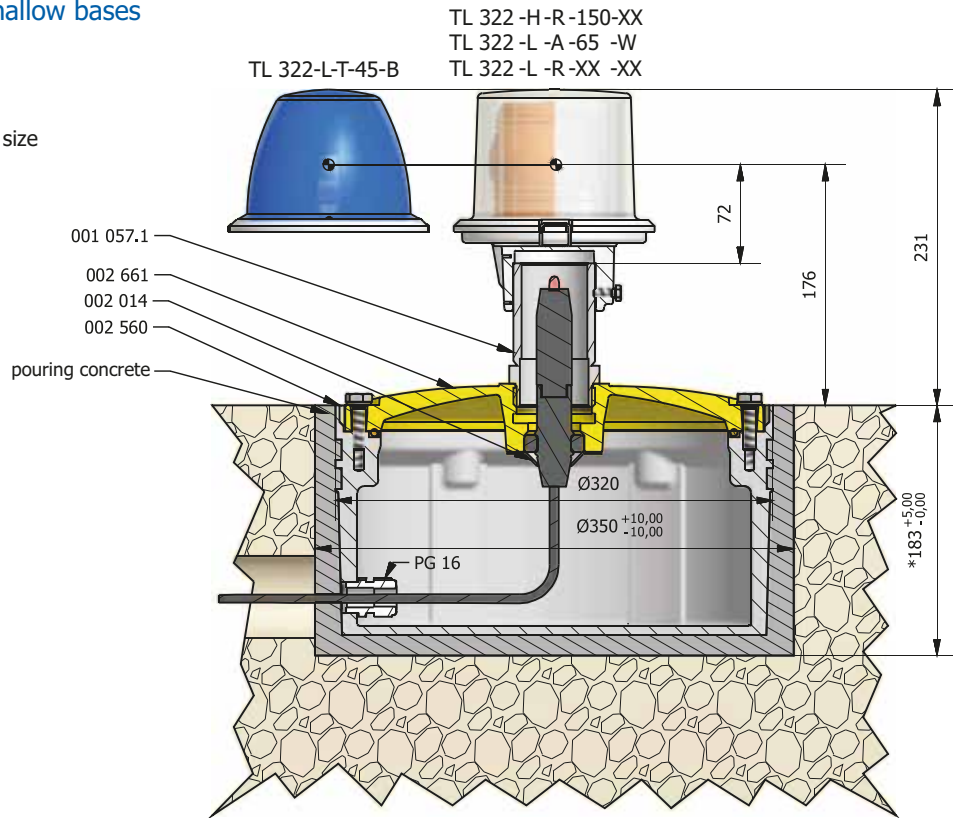
- ☉ optical spot
- \* recommended size

h optical height  
 $h = lx + 207$   
( $267 \leq h \leq 1999$ )  
lx tube length 001 400  
 $lx = h - 207$  mm  
( $60 \leq lx \leq 1792$ )



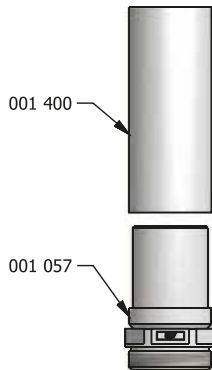
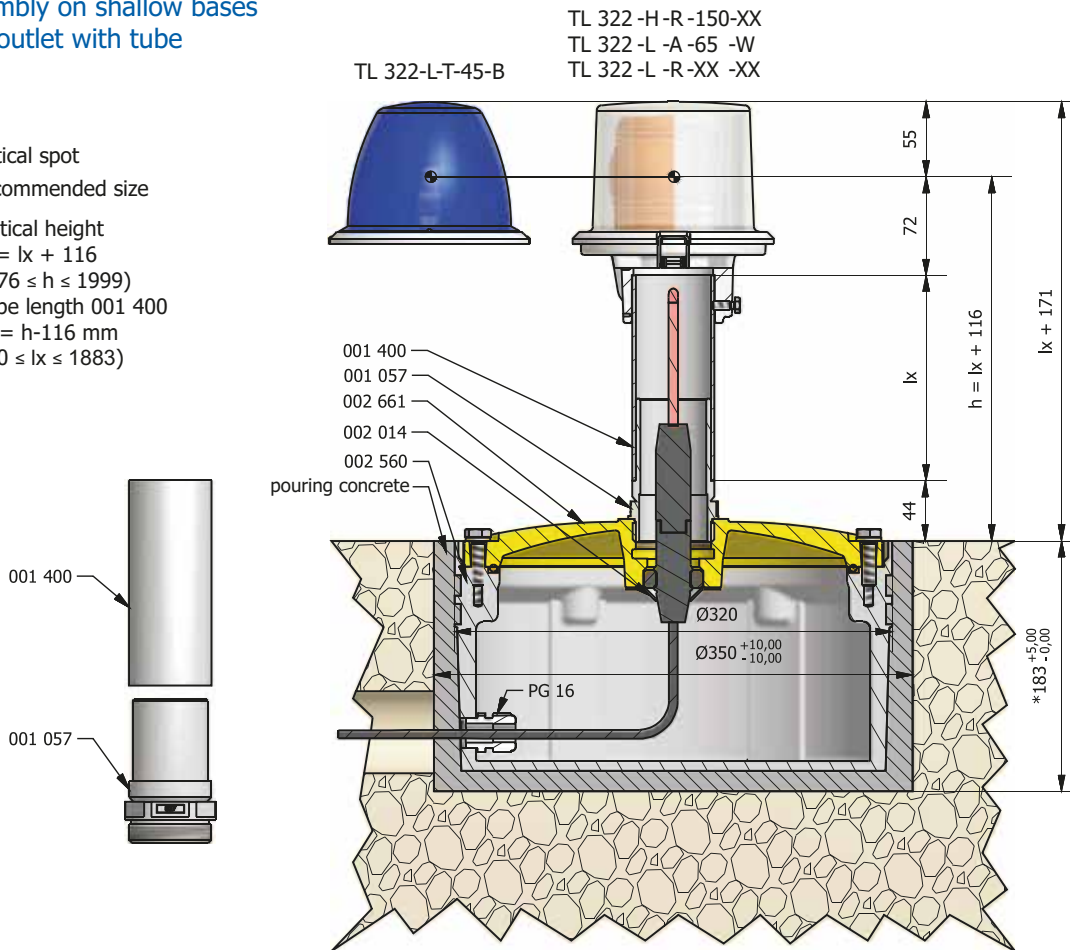
### assembly on shallow bases side outlet

- ☉ optical spot
- \* recommended size



### assembly on shallow bases side outlet with tube

- ☉ optical spot
  - \* recommended size
- h optical height  
h = lx + 116  
(176 ≤ h ≤ 1999)
- lx tube length 001 400  
lx = h - 116 mm  
(60 ≤ lx ≤ 1883)



chapter:

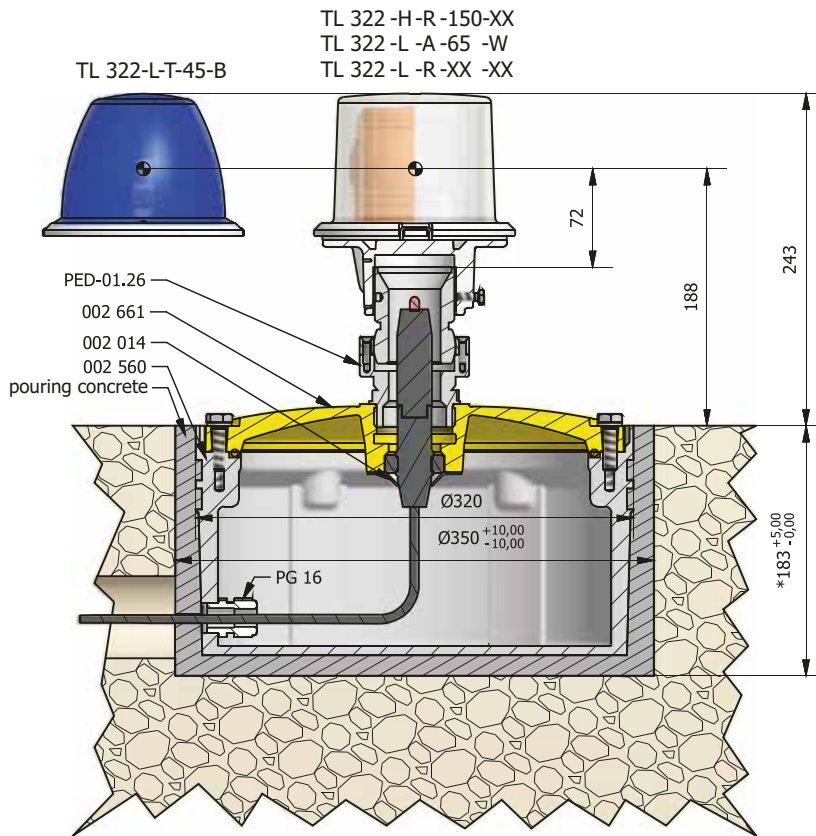
# 5.1.4

# TL 322



assembly on shallow bases  
side outlet + pedestal

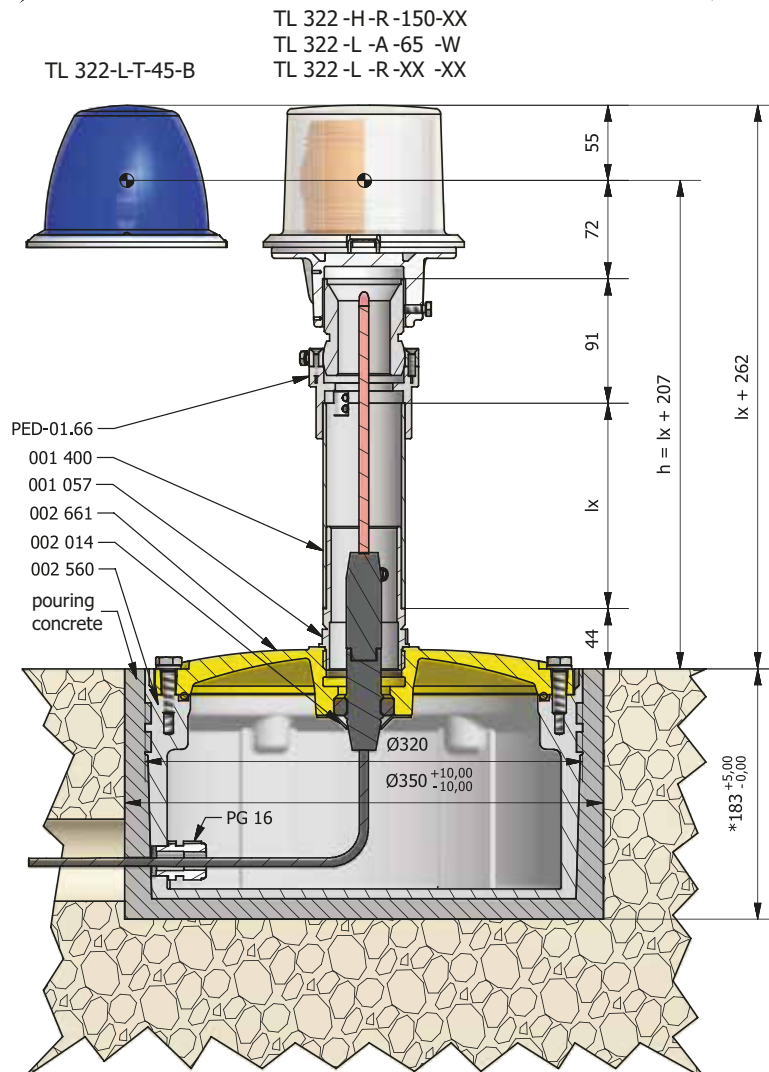
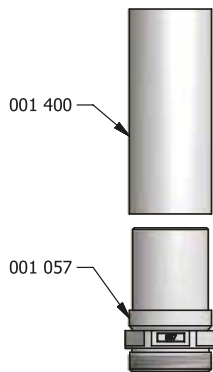
- optical spot
- \* recommended size



assembly on shallow bases  
side outlet with tube  
+ pedestal

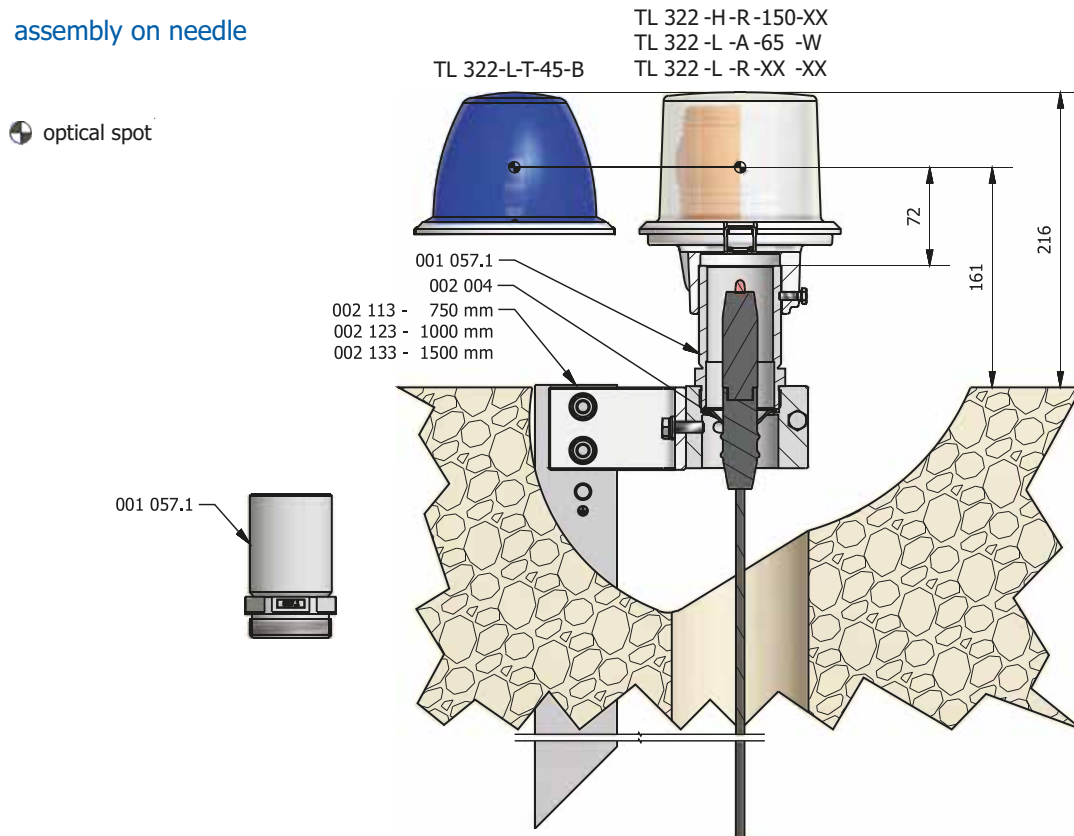
- optical spot
- \* recommended size

h optical height  
 $h = lx + 207$   
( $267 \leq h \leq 1999$ )  
lx tube length 001 400  
 $lx = h - 207$  mm  
( $60 \leq lx \leq 1792$ )

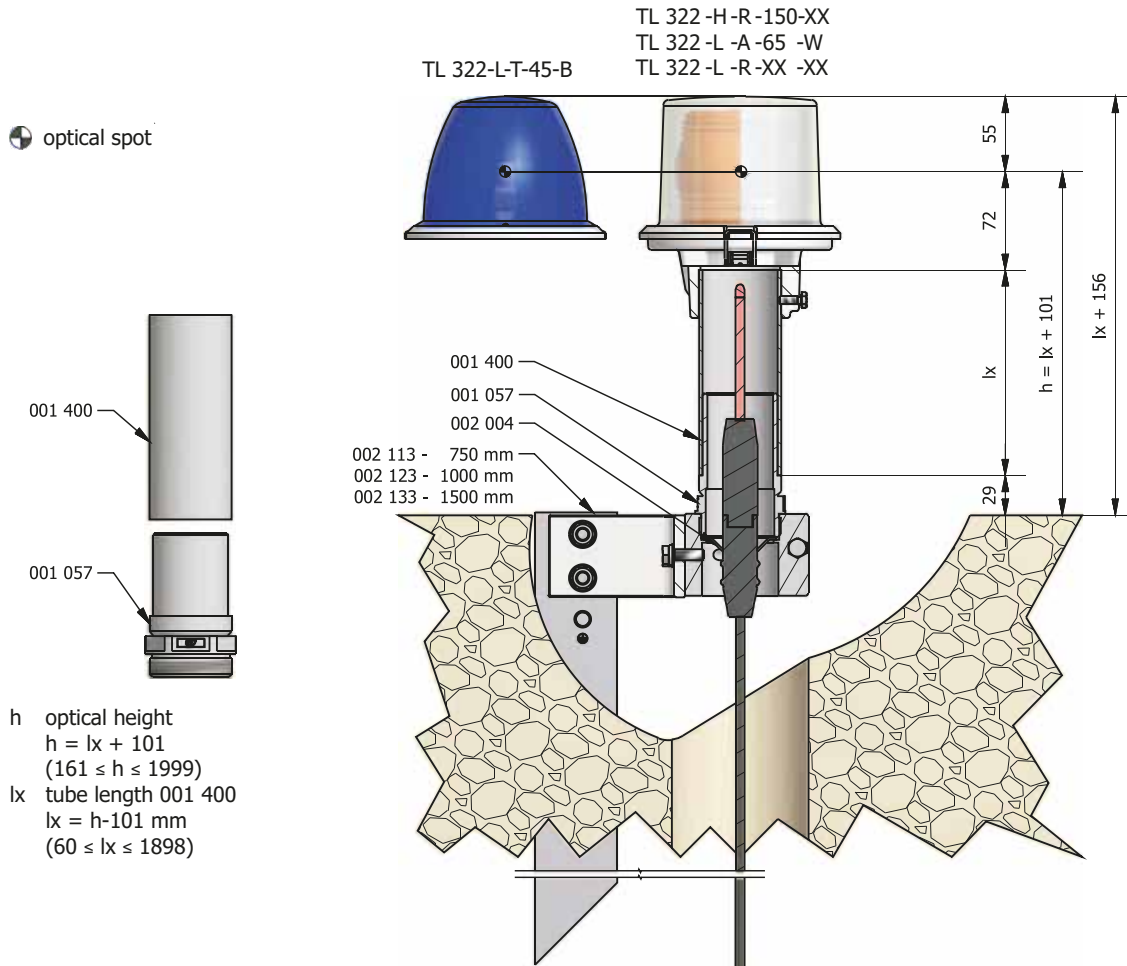




assembly on needle



assembly on needle with tube



h optical height  
 $h = ix + 101$   
 $(161 \leq h \leq 1999)$   
 ix tube length 001 400  
 $ix = h - 101$  mm  
 $(60 \leq ix \leq 1898)$

chapter:

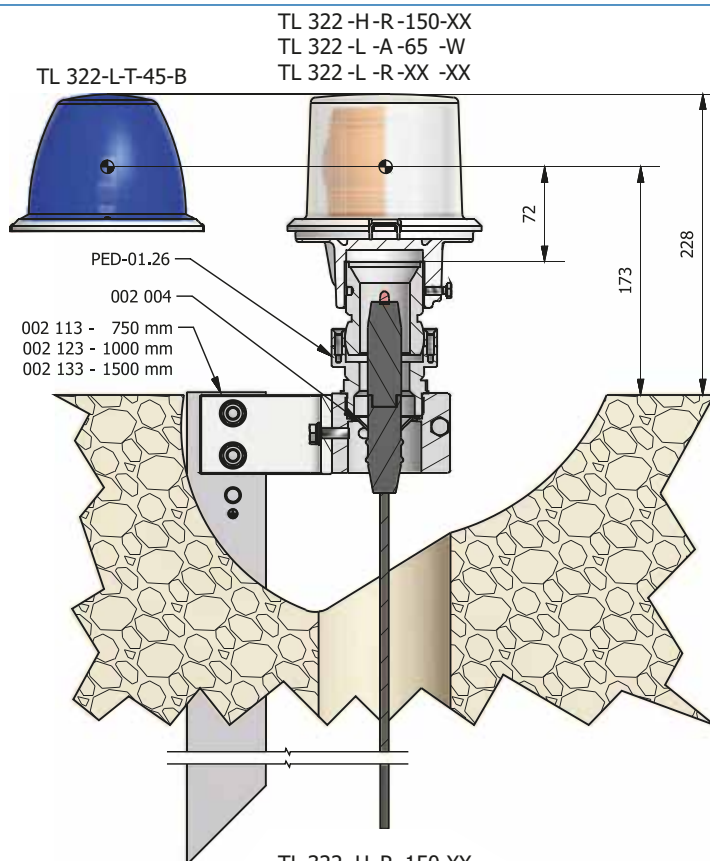
# 5.1.4

# TL 322



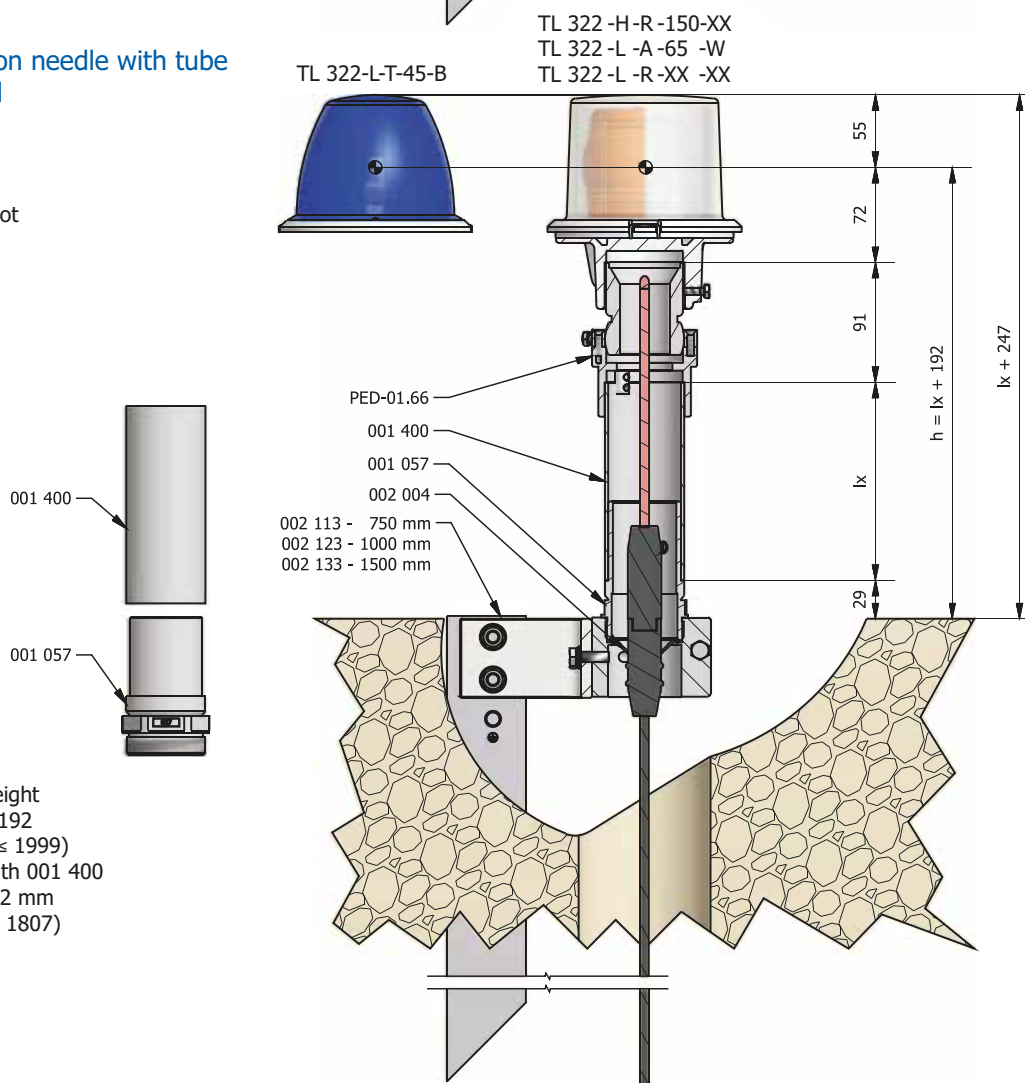
assembly on needle  
+ pedestal

optical spot



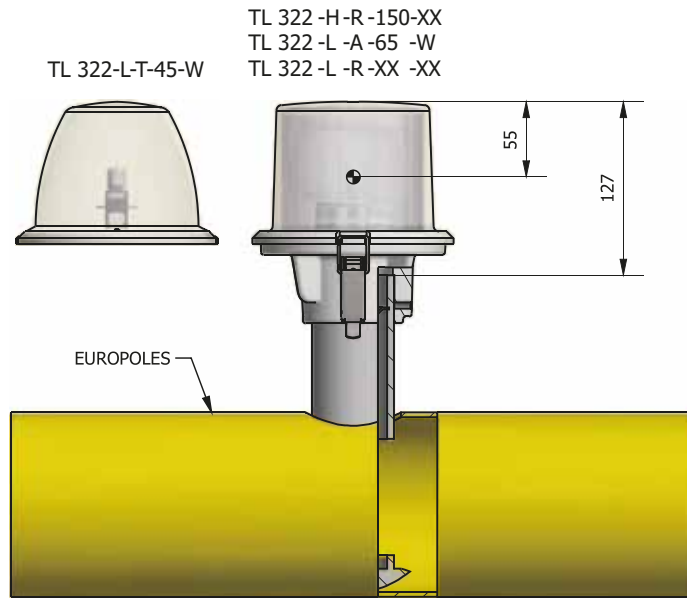
assembly on needle with tube  
+ pedestal

optical spot



h optical height  
 $h = lx + 192$   
 $(252 \leq h \leq 1999)$   
 lx tube length 001 400  
 $lx = h - 192 \text{ mm}$   
 $(60 \leq lx \leq 1807)$

assembly on crossbar with peg

 optical spot

chapter:

**5.1.4****TL 322**

This page is intentionally left blank.