

**Compliances:** FAA AC 150/5345-23B (L-823)  
ICAO Annex 14



## Applications

The connection of the series isolation transformers to the power cables requires primary connector kits that can be applied to cable ends in a few minutes by the electrical installer following simple illustrated instructions.

PCK primary kits are designed for 5 kV unshielded (not screened) cables.

SPCK primary kits are designed for 5 kV screened cables; they are equipped with integral shield connection with external wire to maintain the continuity of the shield across the cable connection or isolation transformer.

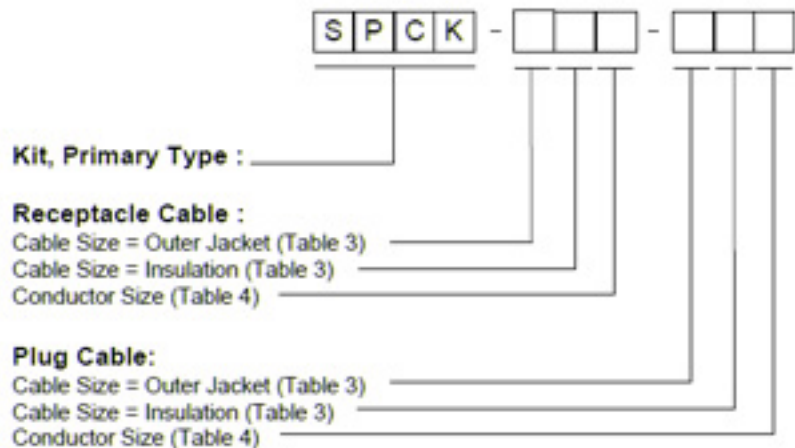
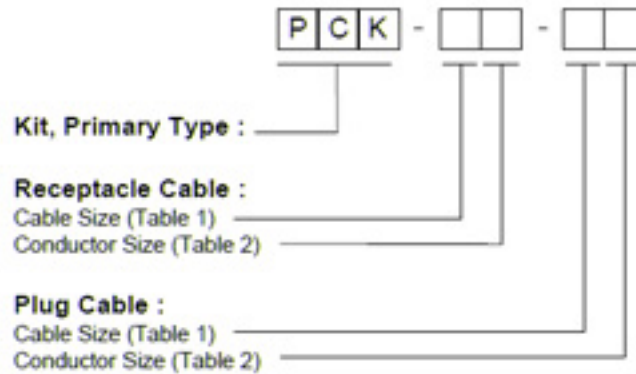
Metal plug and receptacle fittings are crimped onto the conductors and then inserted into the moulded rubber housings. Upon pushing the assemblies together, the circuit is ready for immediate use. Primary kits provide both a plug and a receptacle. One kit is required for each transformer location for the ends of the series cable sections. The circuits may be readily disconnected for testing or for replacing faulty equipment and then quickly rejoined for continued use.

Cable Diameter *				Size Code
Minimum		Maximum		
mm	inches	mm	inches	
6.4	0.250	8.4	0.330	C
8.1	0.320	10.9	0.430	D
9.4	0.370	12.9	0.507	Z
10.7	0.420	14.9	0.585	E
14.6	0.575	19.9	0.785	F

Conductor Size and Type				Size Code
Stranded		Solid		
mm <sup>2</sup>	AWG	mm <sup>2</sup>	AWG	
4-6	10-12	4-6	8-10	6
10	8	10	6	4
16	6	16	4	3
-	4	-	-	2

\* Diameters vary along cable lengths. Take several measurements. Select a tight fit rather than a loose one.

## How to Order



Cable or Insulation Diameter *				Size Code
Minimum		Maximum		
mm	inches	mm	inches	
6.4	0.250	8.4	0.330	C
8.1	0.320	10.9	0.430	D
10.7	0.420	14.9	0.585	E
14.6	0.575	19.9	0.785	F

Conductor Size and Type				Size Code
Stranded		Solid		
mm <sup>2</sup>	AWG	mm <sup>2</sup>	AWG	
4-6	10-12	4-6	8-10	6
10	8	10	6	4
16	6	16	4	3
-	4	-	-	2