

Application

- transformers for aeronautical Series Circuit

Certificate basis

- FAAAC 150/5345-47A, ICAO Aerodrome Design Manual Part 5 Electrical Systems, IEC 61823

Description/properties

- transformers are completely waterproof
- the encapsulation of the transformer is made of TPE (thermoplastic elastomer), with excellent electrical and mechanical resistance to oil, kerosene, other aircraft, fuel, soil acids and alkalis and other chemicals typically present on the airfield.
- the plug and receptacle insulation as well as cable insulation is of the same material - thermoplastic elastomer - fully
- the transformers are available alternatively with or without earthing
- the earthing connector is connected to the secondary winding which is connected to the larger socket of the secondary connector
- the transformers have two copper windings, one primary and one secondary, wound separately on a toroidal magnetic core circuit and insulated completely from each other
- the toroidal core has the optimal shape for a transformer

Primary leads

- the transformers have two primary leads, standard length 0,6 m, cross section min. 6 mm²
- one lead is with FAA L-823, Style 2 plug
- one lead with FAA L-823, Style 9 receptacle.

Secondary leads

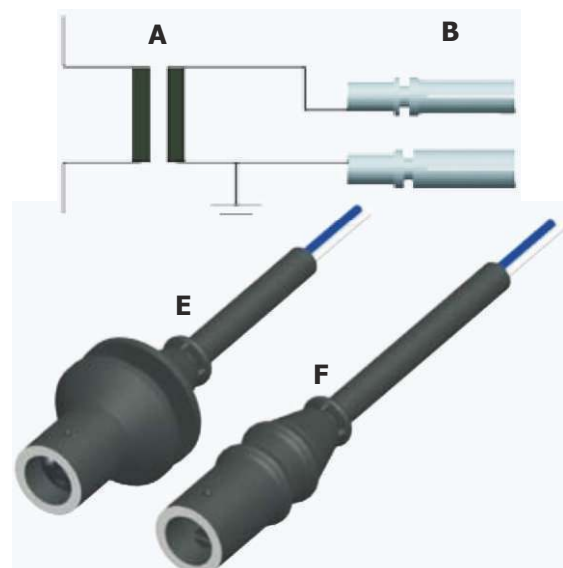
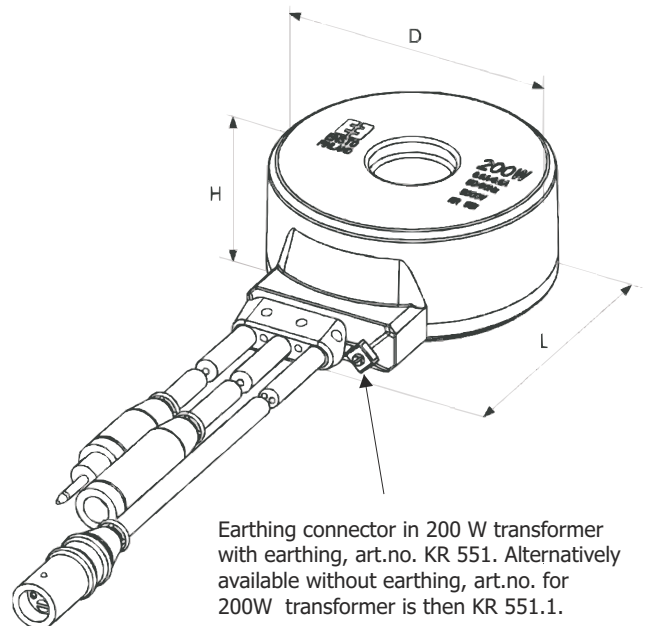
- the transformers have one secondary lead of 1,2 m in length with cross-section min. 2.5mm², min. 0,6kV
- secondary lead is fitted with style 7 connector
- on request, the transformers can be equipped with other cable sizes and lengths or with style 8 connector

A Primary

B Secondary

E secondary leads KDC 508 (style 8)

F secondary leads KDC 502 (style 7)



Electrical parameters

Type with earthing	Type without earthing	Type FAA	Nominal Power rating [W]	Min. power factor	Max. circuit Voltage [V]	Current Rating [A]	Frequency [Hz]
KR531	KR531.1	L-830-1 L-831-1	30/45	0,97	5000	8,3*/6,6/6,6	50/60
KR536	KR536.1	L-830-3 L-831-3	65	0,97	5000	8,3*/6,6/6,6	50/60
KR541	KR541.1	L-83IM L-831	100	0,97	5000	8,3*/6,6/6,6	50/60
KR546	KR546.1	L-830-19 L-831-19	150	0,97	5000	8,3*/6,6/6,6	50/60
KR551	KR551.1	L-830-6 L-831-6	200	0,97	5000	8,3*/6,6/6,6	50/60
KR561	KR561.1	L-830-10 L-831-10	300	0,97	5000	8,3*/6,6/6,6	50/60

* transformers with 8.3 A/6.6 A current rating are also available, use code "83" (for example: KR531.83.1)

- maximum overload of transformers is approx. 20 percent over the nominal power with sinusoidal voltage.
- on request transformers can be supplied with protective caps for connectors

Type	D [mm]	L [mm]	H (height) [mm]	Weight [kg]	Standard packing* [pcs]	Gross weight [kg]	Cbm [m ³]
KR 531, KR 531.1	100	125	55	1,7	240	430	0,55
KR 536, KR 536.1	126	168	56	2,3	144	454	0,55
KR 541, KR 541.1	147	193	54	3,0	144	454	0,55
KR 546, KR 546.1	147	193	60	3,3	135	470	0,55
KR 551, KR 551.1	147	193	64	3,8	126	500	0,55
KR 561, KR 561.1	147	193	73	4,8	108	540	0,55

LED transformers

- for LED-lights now available smaller energy saving AGL LED Transformers

Type with earthing	Type without earthing	Nominal Power rating [W]	Max. circuit Voltage [V]	Current Rating [A]	Frequency [Hz]
KR511	KR511.1	100	5000	6,6/6,6	50/60
KR521	KR521.1	20	5000	6,6/6,6	50/60
KR525	KR525.1	7	5000	6,6/6,6	50/60

We reserve the right to change design or specification data without notice